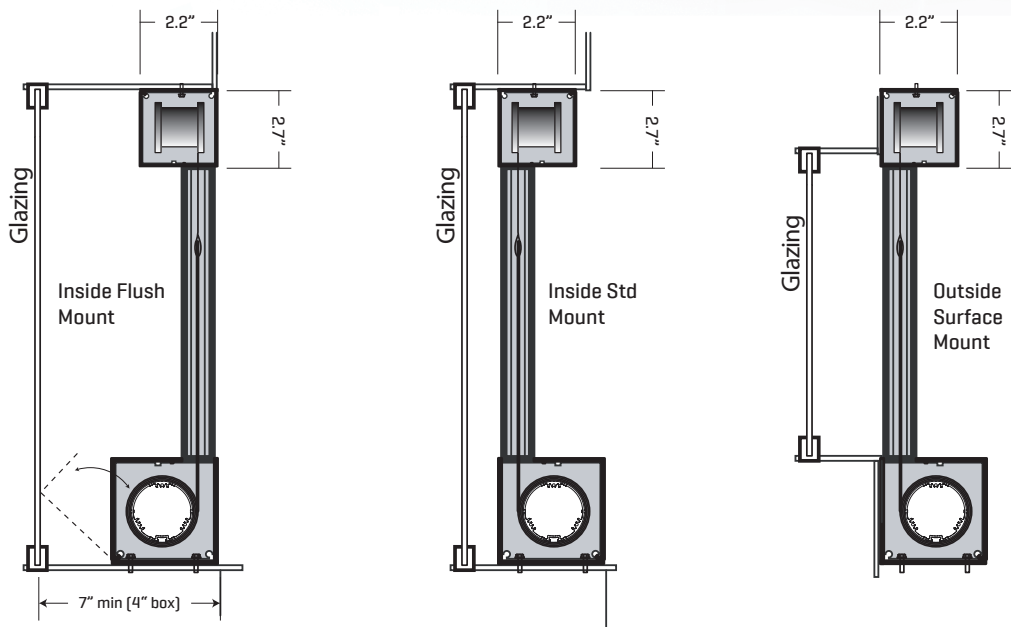
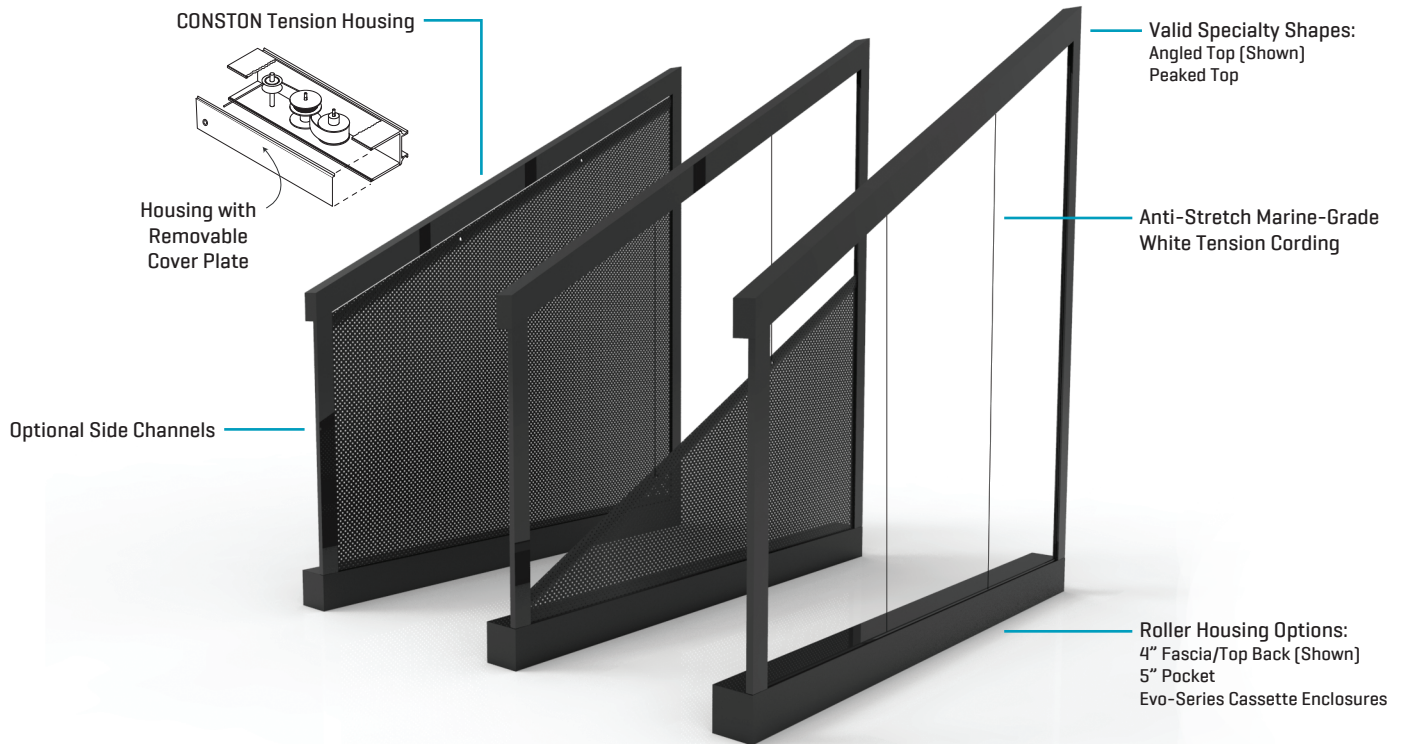


Specialty Shade Systems /

Conston Single Motor, Bottom-Up, Angled Top Tensioned Shades

One of our more unique offerings is specialty shaped bottom-up roller shades. With a special flexible hem bar we are able to achieve fully retracting shade systems.

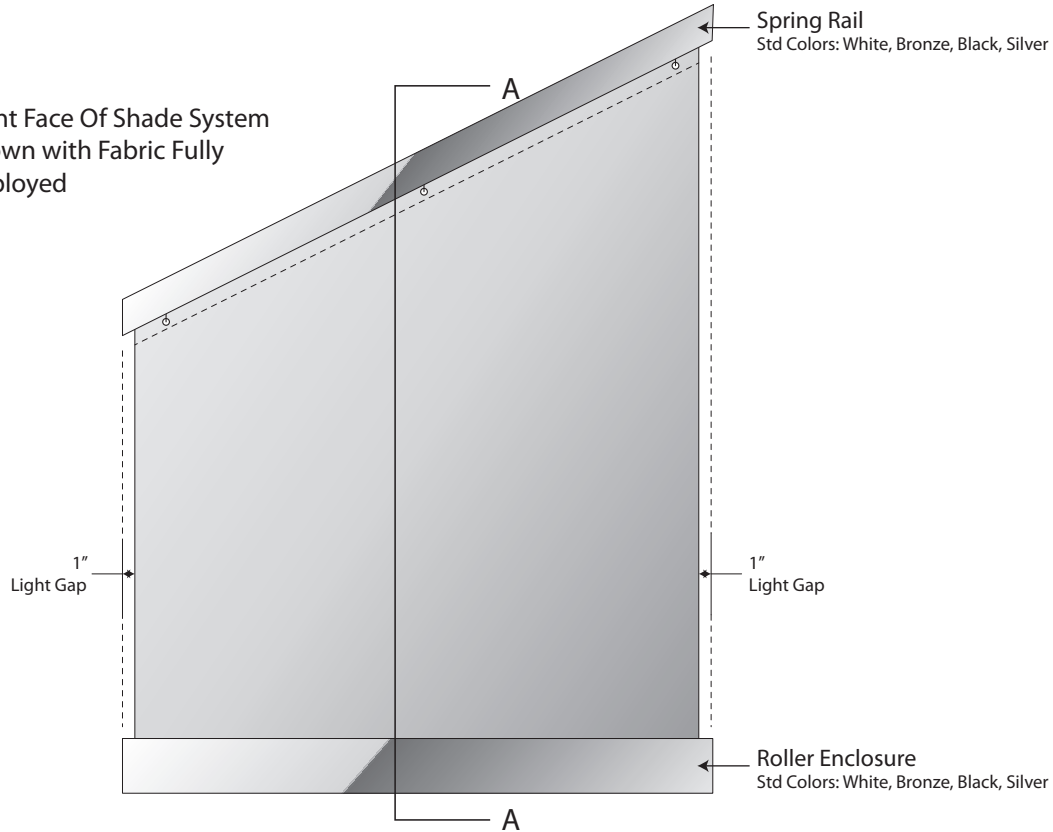
- Max. Dimensions: Up to 100 sq. ft. with a single system
- Design: Concealed hardware for a flush appearance
- Fabric Offering: Available with the majority of our fabric offering
- Exposed Frame/Hem: White, Bronze, Anodized or Black. Custom powder coating is also available
- Motor Options: All 12v lith-ion, 24v and 110v motors with torque ratings equal to or greater then 6nm are possibilities depening upon the shade size.



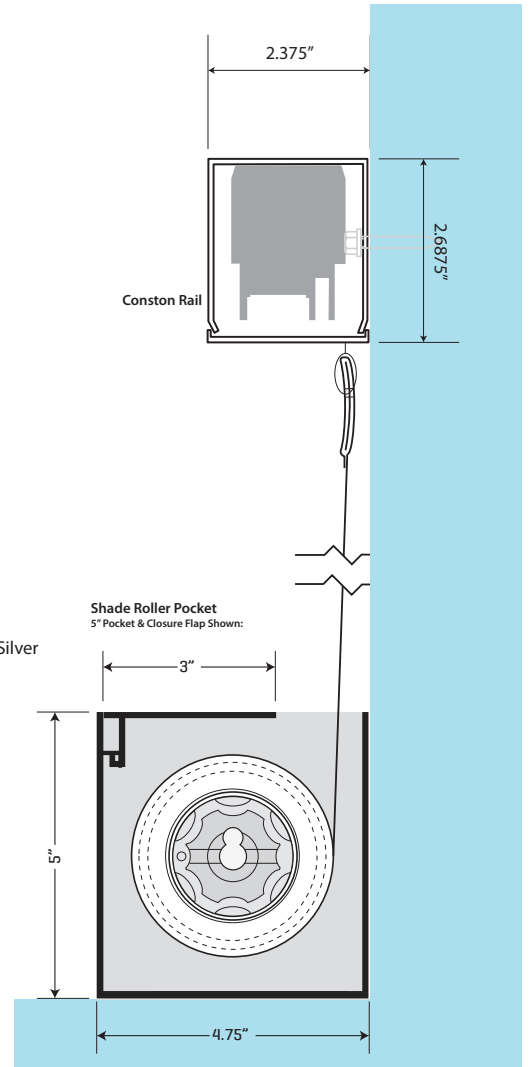


Bottom-Up Angled-Top Motorized Roller Shades

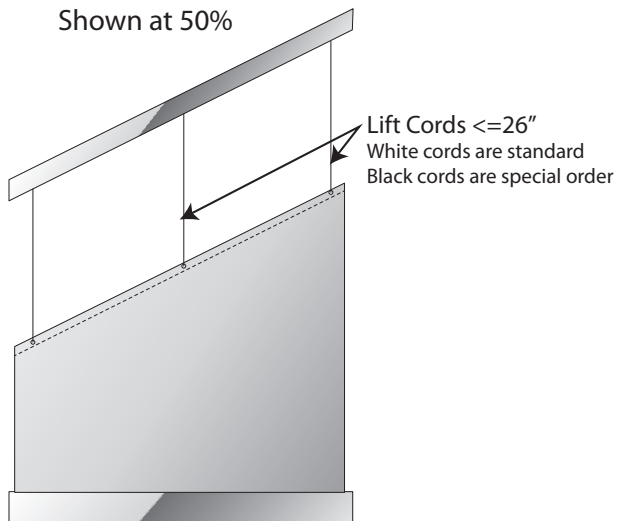
Front Face Of Shade System
Shown with Fabric Fully
Deployed



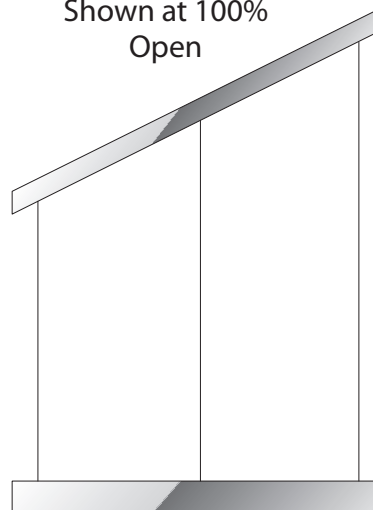
Side View Detail:
Section A - A

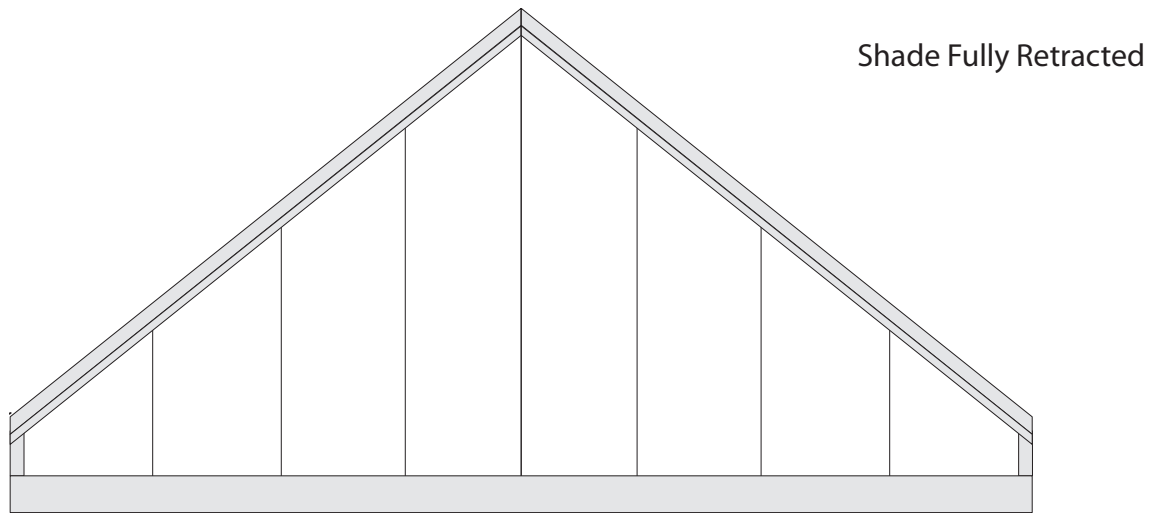
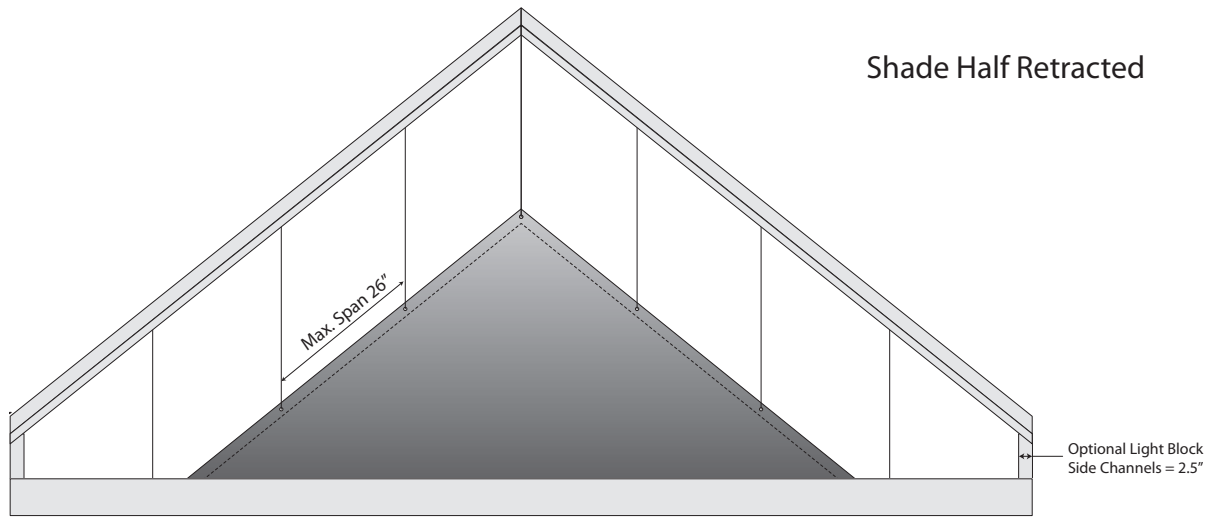
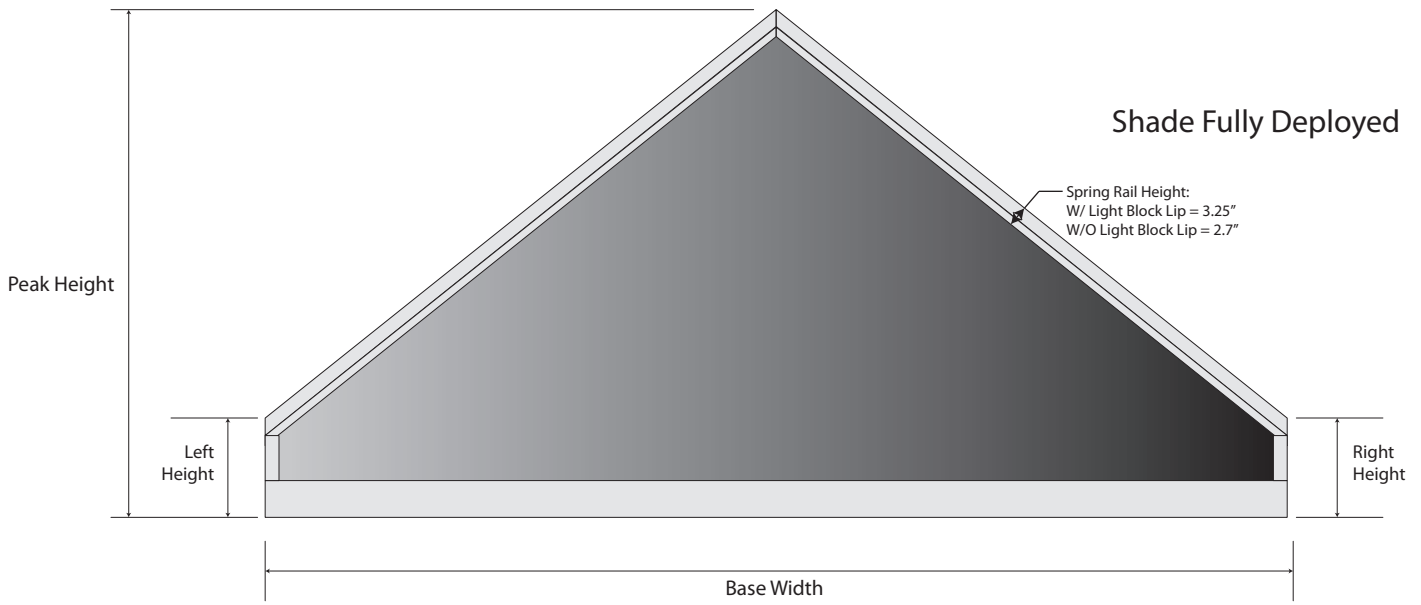


Shown at 50%



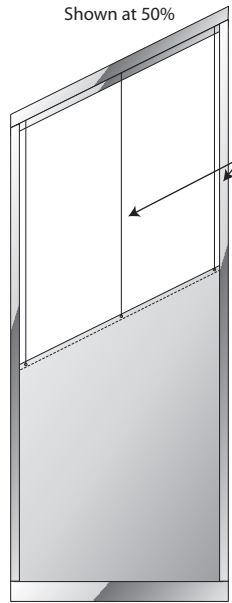
Shown at 100%
Open







Bottom-Up Angled-Top Motorized Roller Shades

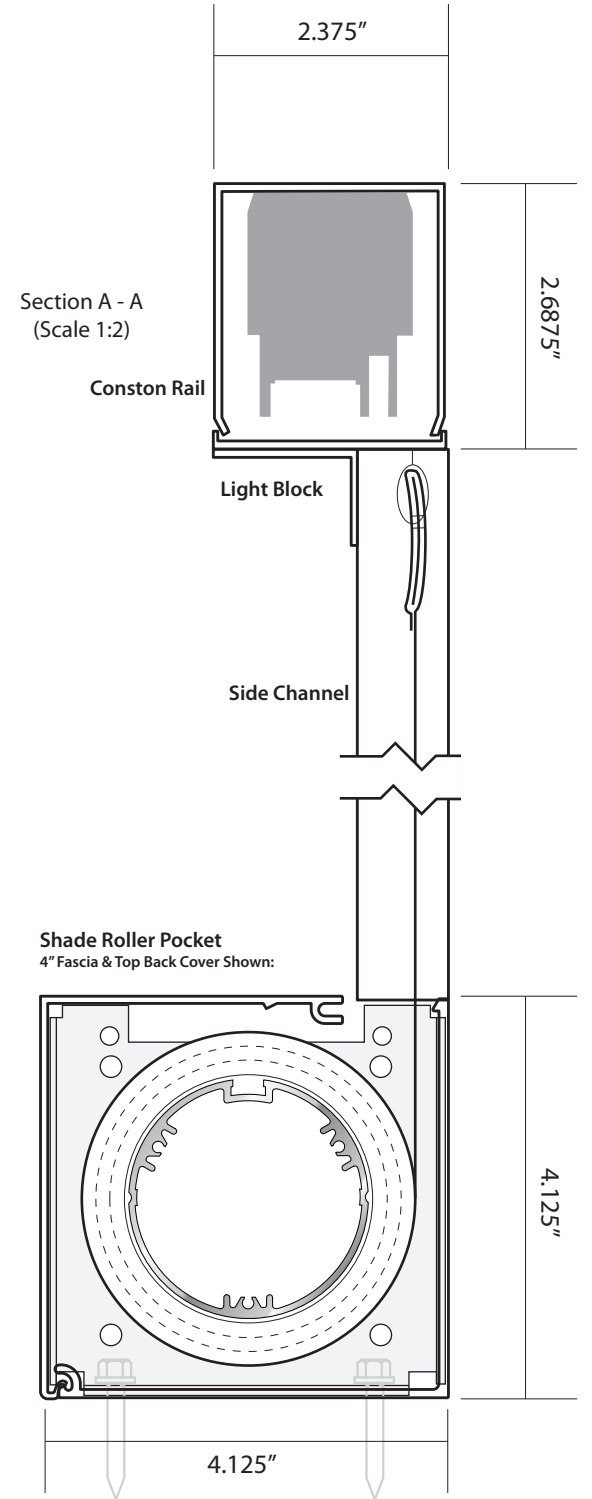
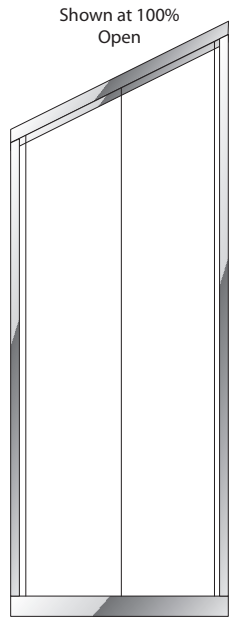
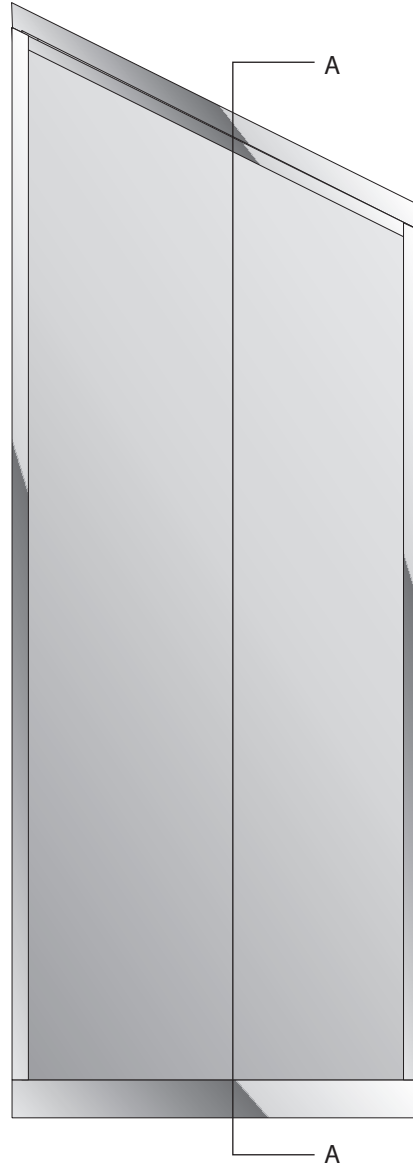


Lift Cords $\leq 24"$
White cords are standard
Black cords are special order

Rear Face Of Shade System
(view from outdoors)



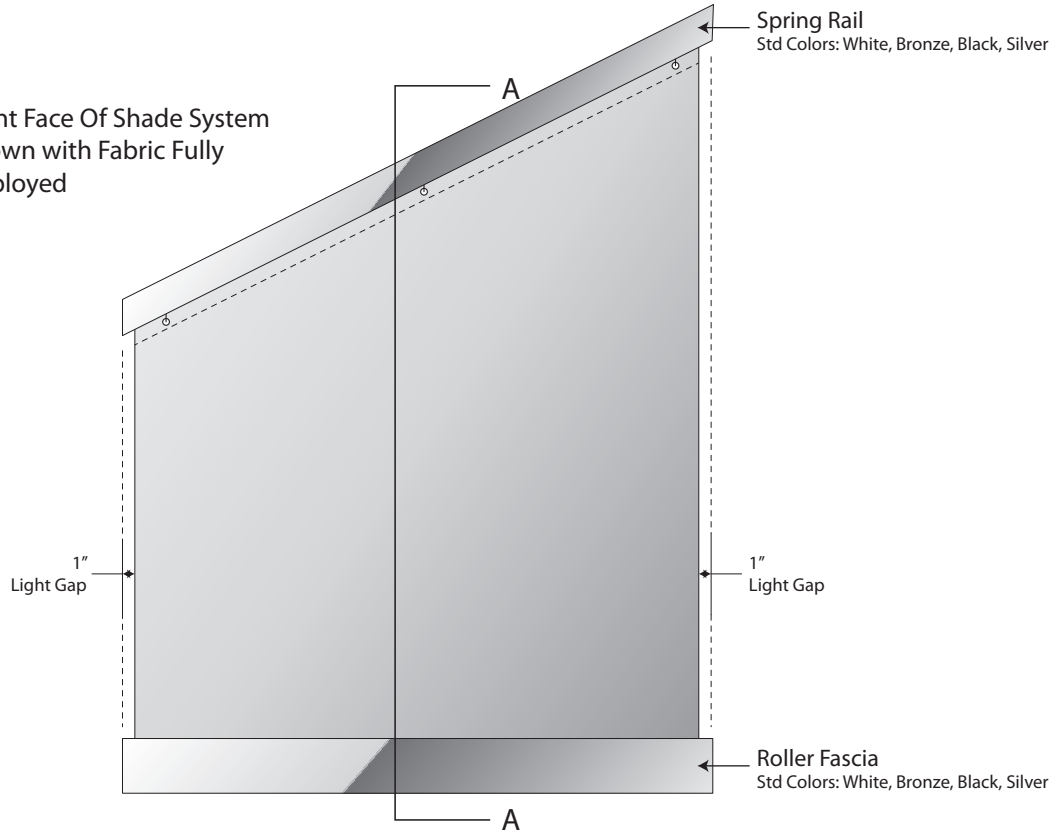
Front Face Of Shade System
(view from indoors)



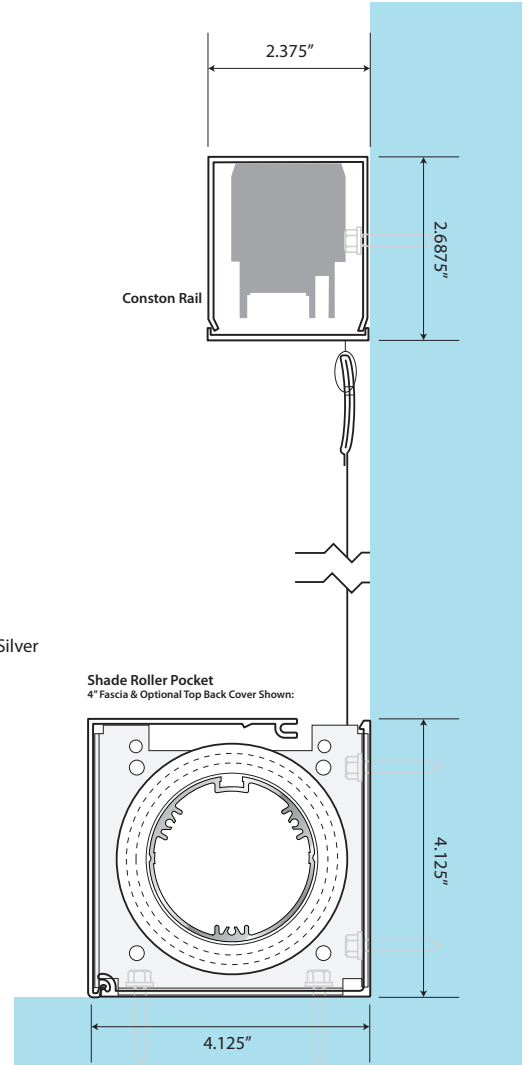


Bottom-Up Angled-Top Motorized Roller Shades

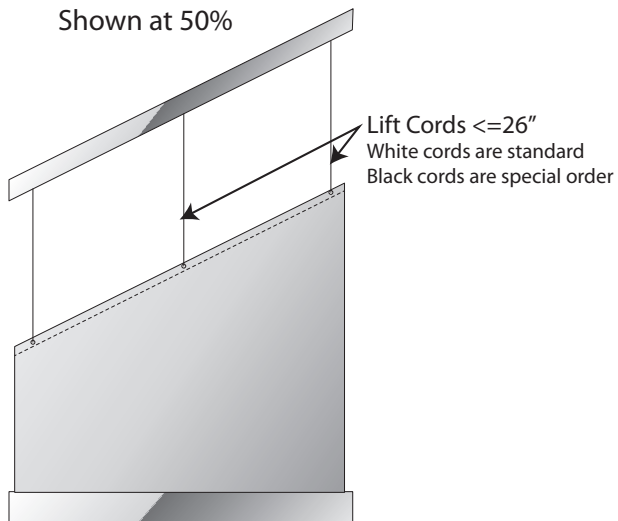
Front Face Of Shade System
Shown with Fabric Fully
Deployed



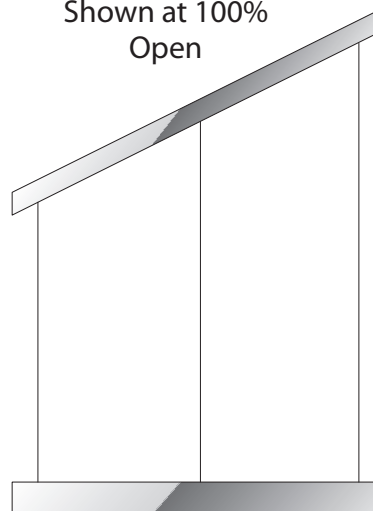
Side View Detail:
Section A - A



Shown at 50%

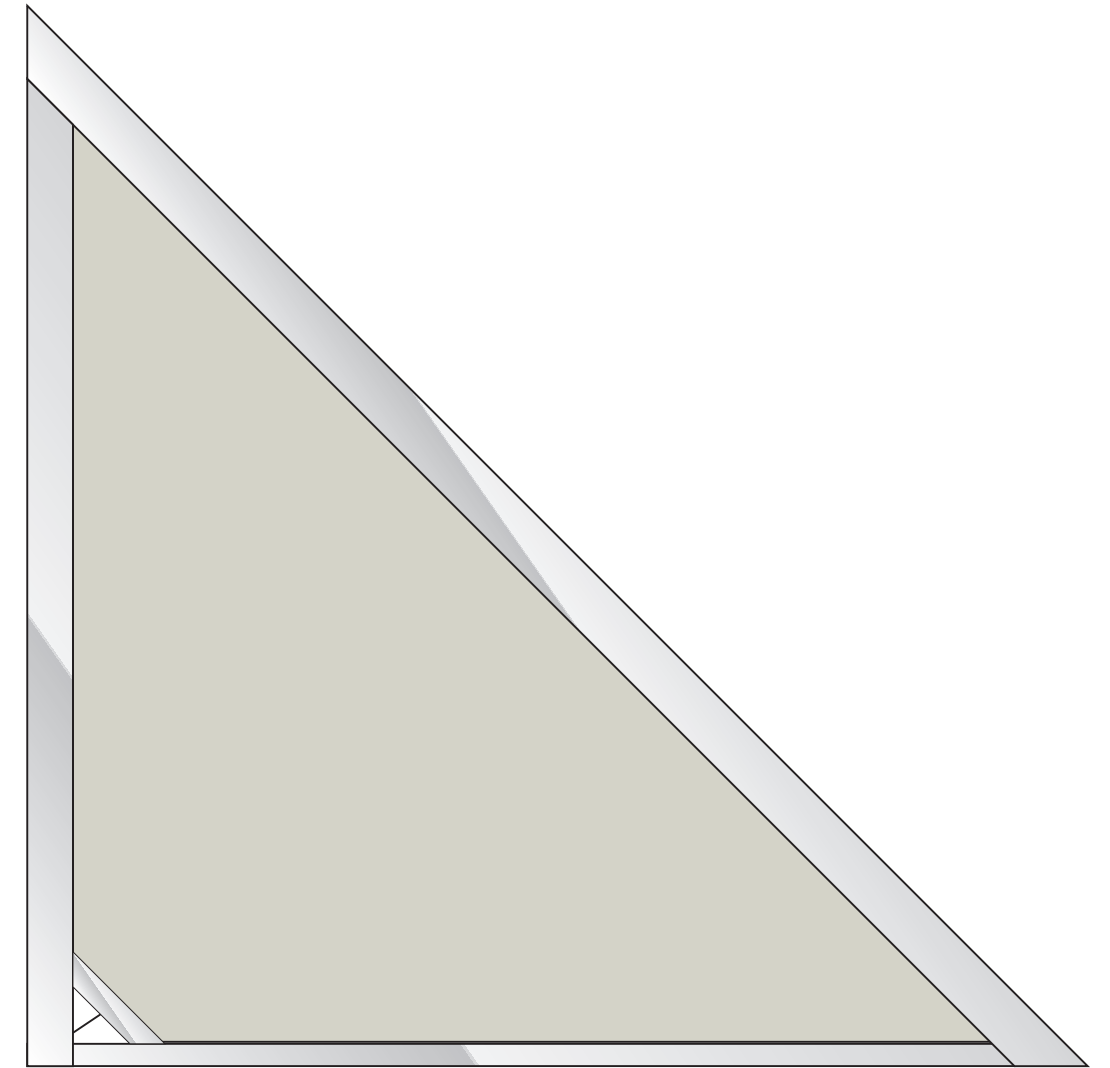


Shown at 100%
Open

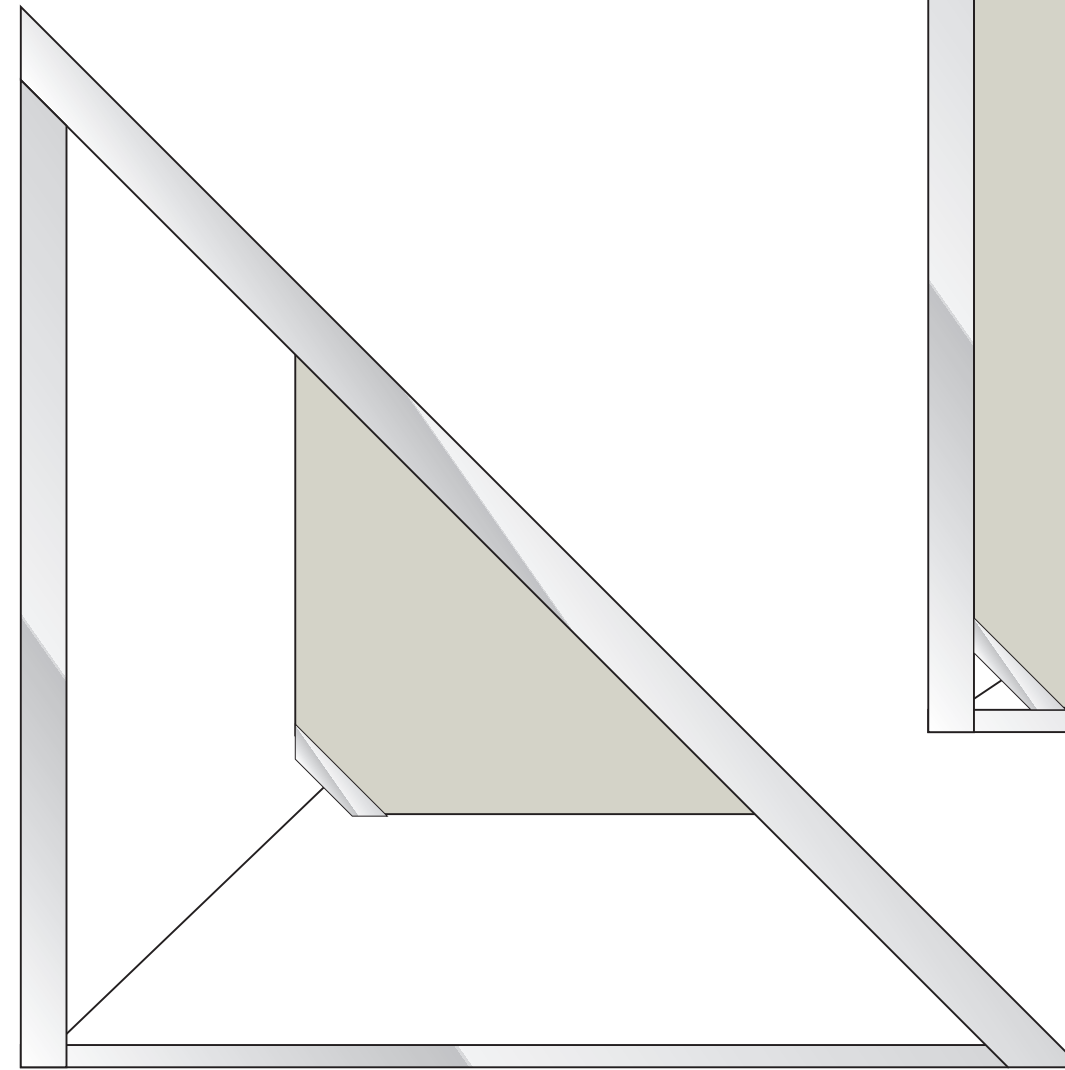


Crown Bottom-Up Triangle Shade
With fully dissapearing fabric

Fully Extracted:



Half Retracted:



Fully Retracted:

