

Crown

EXTERIOR SHADE ORDER FORM

| | |
|---------------|--|
| Account#: | SHIP TO: Residential: <input type="radio"/> Commercial: <input type="radio"/> |
| Account Name: | Name: |
| Address: | Address: |
| Phone#: | Phone#: |
| Fax#: | Special Instructions: |

| |
|--------------------|
| Sidemark: |
| PO: |
| Order Placed By: |
| Date: |
| Crown Work Order#: |

| Line | Qty | Room Mark | Width | Height | Measurement Type* Option A Option B Option C Option D | Head Box Evo100 Evo150 Evo100SLIM IM7 Evo150 IM7 | Drive | | | | Fabric | | Special Options: | |
|------|-----|-----------|-------|--------|---|--|--|--|--|--|------------------|---|------------------|-------------------|
| | | | | | | | Operation*: Manual Crank, AC Motor (STD), AC Motor (RF) | If Motor, Brand: Gaposa, Somfy, Rollese Automate, Nice | Motor or Crank Control**: Left or Right | Cable Exit**: LF,LV,LB, LH,LN,LW, RF,RV,RB, RH,RN,RW | Pattern Color | Side Guides***: Cable Guide, ShyZip Track, No Guides | | Metal Trim Color: |
| 001 | | | | | | | | | | | | | | |
| 002 | | | | | | | | | | | | | | |
| 003 | | | | | | | | | | | | | | |
| 004 | | | | | | | | | | | | | | |
| 005 | | | | | | | | | | | | | | |
| 006 | | | | | | | | | | | | | | |
| 007 | | | | | | | | | | | | | | |
| 008 | | | | | | | | | | | | | | |
| 009 | | | | | | | | | | | | | | |
| 010 | | | | | | | | | | | | | | |
| 011 | | | | | | | | | | | | | | |

* Manual Crank Only Available with Evo100 & Evo150 Models ** See reverse side for clarification *** Cable Guides Only Available with Evo100 & Evo150 Models

Measurement Type Clarification (Drawings on Reverse Side):
 Option A = Standard Outside Mount
 Option B = Standard Inside Mount (1/8" deducted off width/height)
 Option C = Recessed Pocket
 Option D = Recessed Pocket & Side Tracks

Popular Somfy Accessories:

Popular Gaposa Accessories:

| | |
|-----------------------------------|-------------------------------------|
| Qty: Control Accessories: | Qty: Power Accessories: |
| ___ Situo RTS White Remote 1 Ch | ___ 12' Wire Lead for ST50 AC Motor |
| ___ Situo RTS White Remote 5 Ch | ___ 18' Wire Lead for ST50 AC Motor |
| ___ Decoflex RTS White Wall 1 Ch | ___ 24' Wire Lead for ST50 AC Motor |
| ___ Decoflex RTS White Wall 5 Ch | |
| ___ Sunis Exterior RTS Sun Sensor | |
| ___ Other: _____ | |

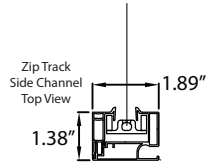
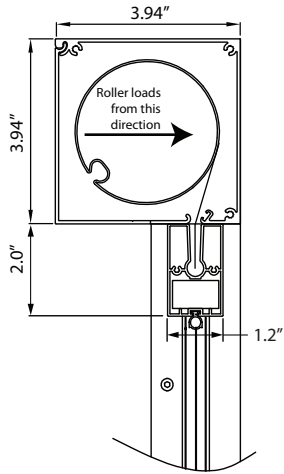
| | |
|--------------------------------------|-------------------------------------|
| Qty: Control Accessories: | Qty: Power Accessories: |
| ___ Emitto RF Hand Held Remote 1 Ch | ___ 16' Wire Lead for ST50 AC Motor |
| ___ Emitto RF Hand Held Remote 5 Ch | ___ 32' Wire Lead for ST50 AC Motor |
| ___ Emitto RF Hand Held Remote 16 Ch | |
| ___ Decora RF White Wall 1 Ch | |
| ___ Decora RF White Wall 5 Ch | |
| ___ Sun/Wind Sensor | |



Models:

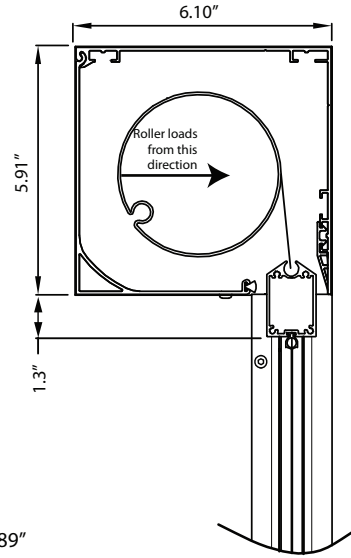
Evo100

Max width of shade is 157.25" if shade is <= 106.25" tall
 Max width of shade is 118" if shade is <= 138" tall
 Min. width of shade is 31.5"



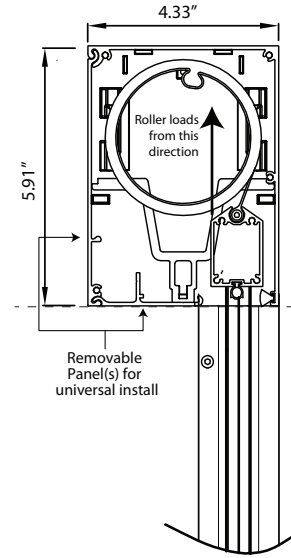
Evo150

Max width of shade is 236.25" if shade is <= 134" tall
 Max width of shade is 126" if shade is <= 236.25" tall
 Min. width of shade is 31.5"



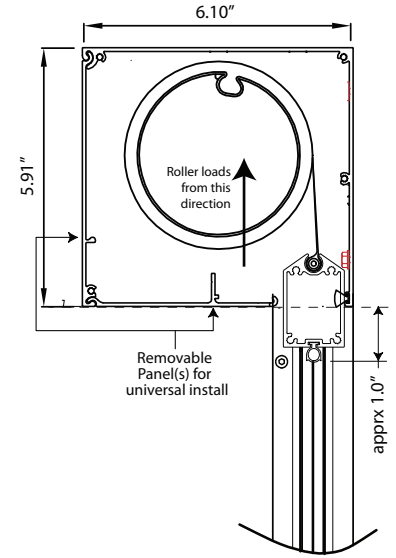
Evo100 Slim IM7 Recessed

Max width of shade is 177" if shade is <= 138" tall
 Max width of shade is 126" if shade is <= 236.25" tall
 Min. width of shade is 31.5"



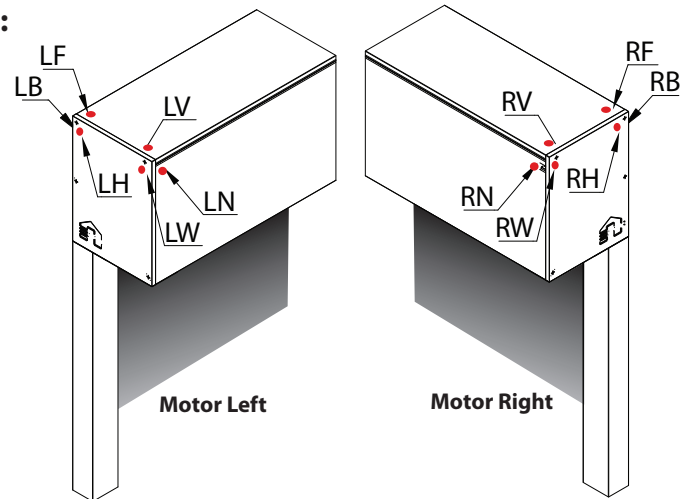
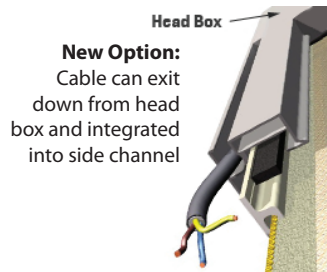
Evo150 IM7 Recessed

Max width of shade is 236.25" if shade is <= 134" tall
 Max width of shade is 126" if shade is <= 236.25" tall
 Min. width of shade is 31.5"



Cable Exit Options (Motorized Shades):

For any shade the motor can be located on the left or right of the shade box. The cable can then exit the box at 6 different points through a rubber weather proof grommet. When ordering it is important to know the exit location and you can use the 2 digit alpha code from below on your order form.



Measurement Type's:

