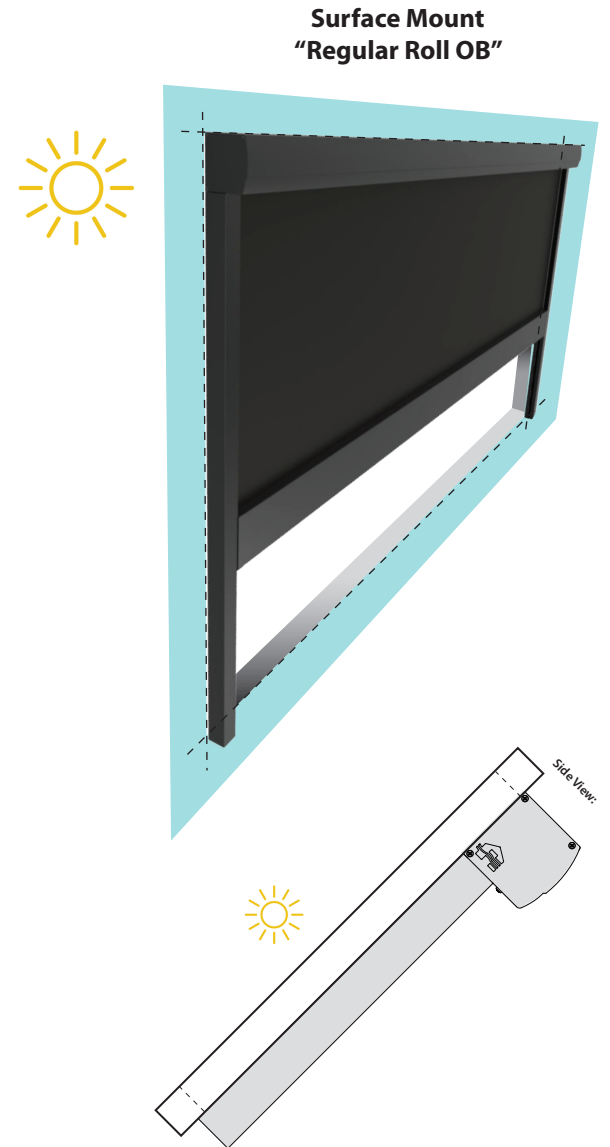
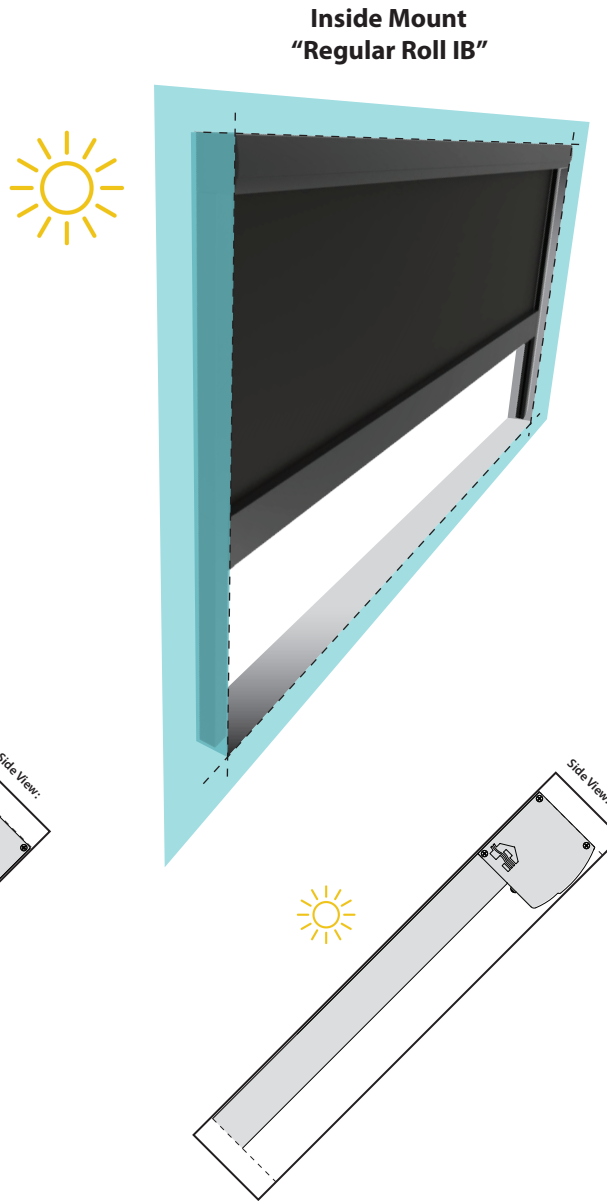
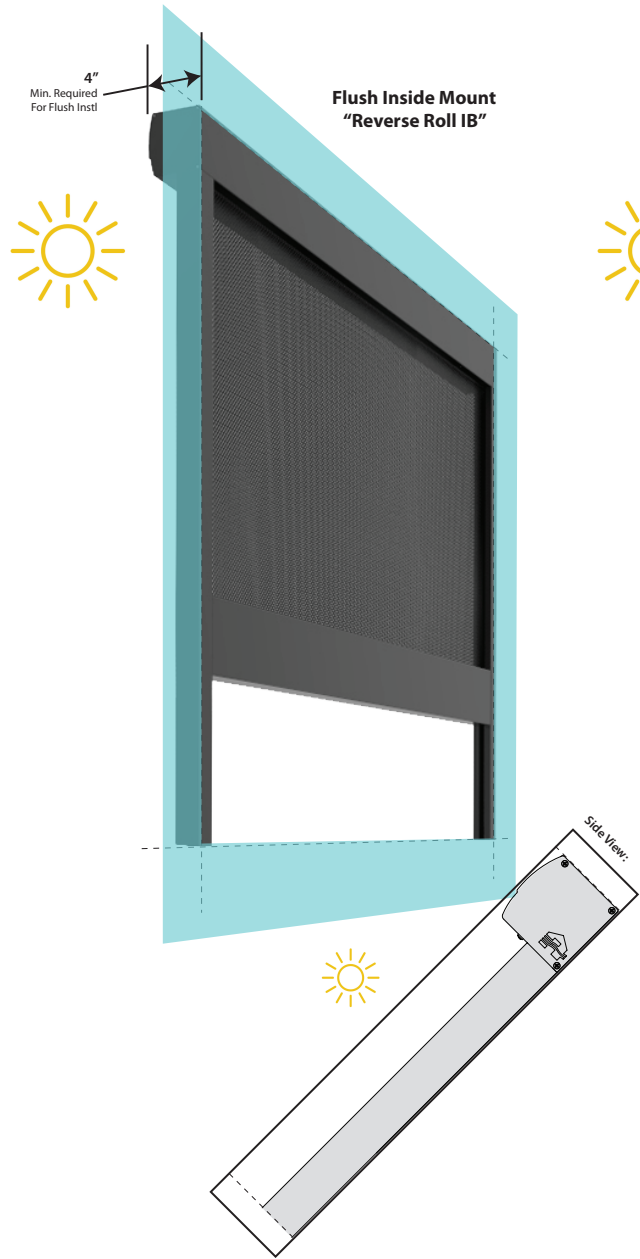




CTS By Crown Shade

CTS Tension Shade System

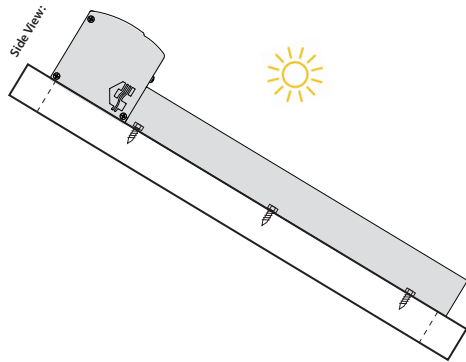


CTS Tension Shade System

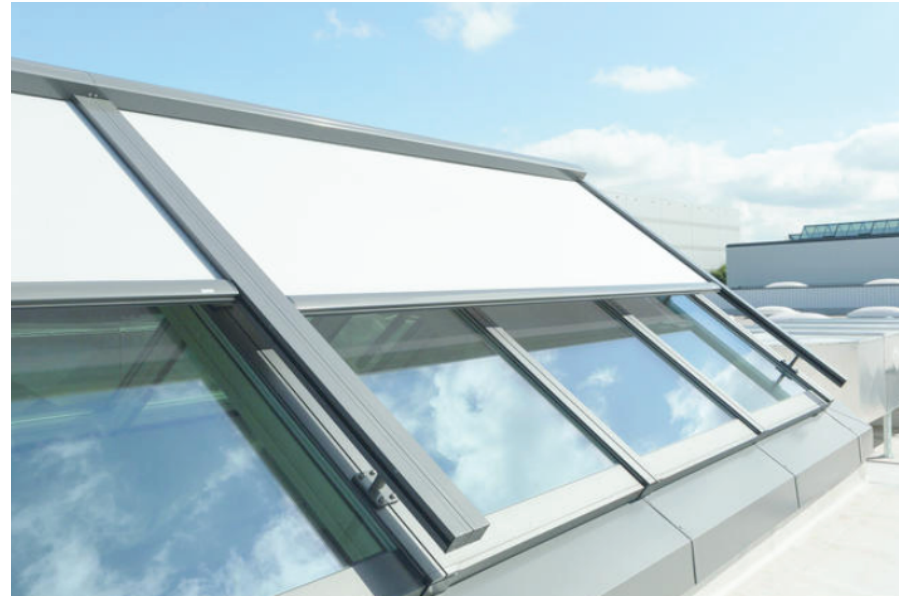
Surface Mount



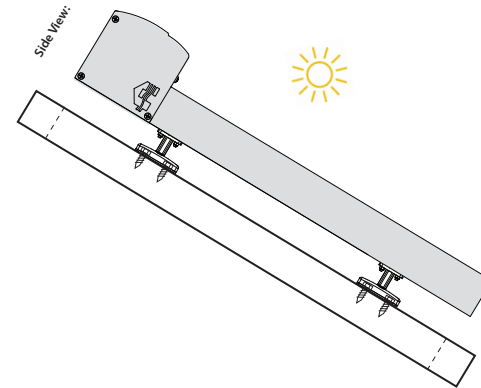
*When selecting this mounting condition it must be understood that the fabric may come in contact with the skylight glazing when the shade is fully deployed. This can reduce the solar heat gain protection effectiveness.



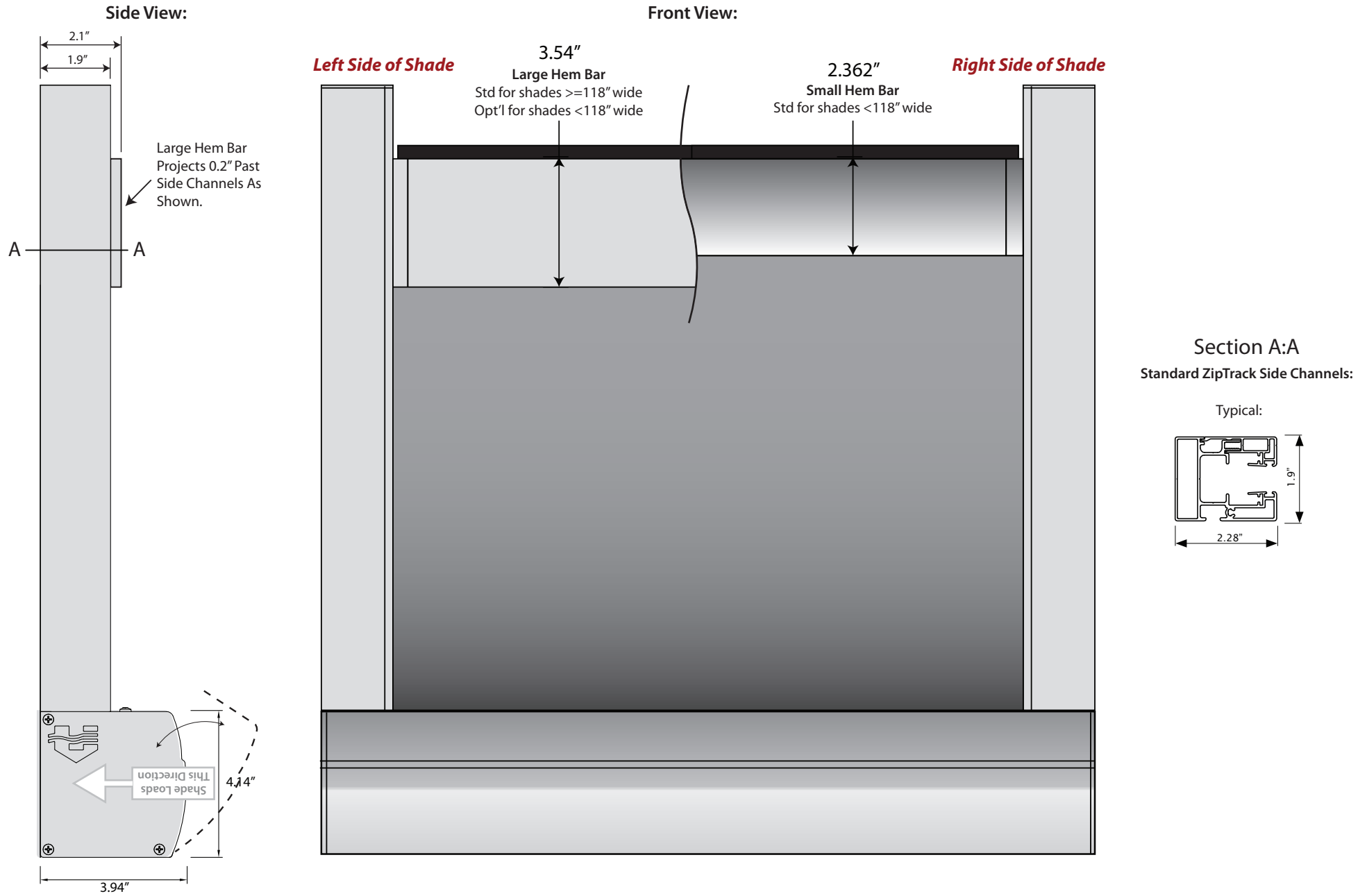
Stand-Off Mount

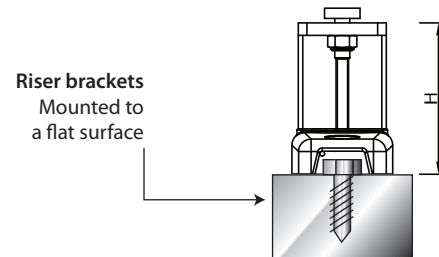
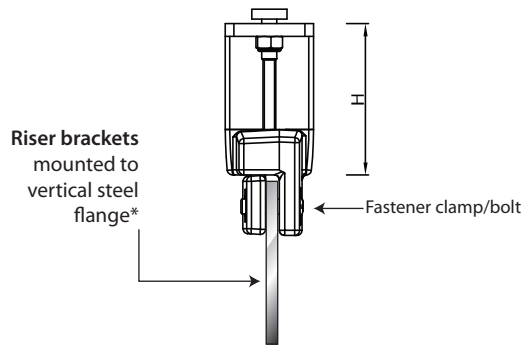
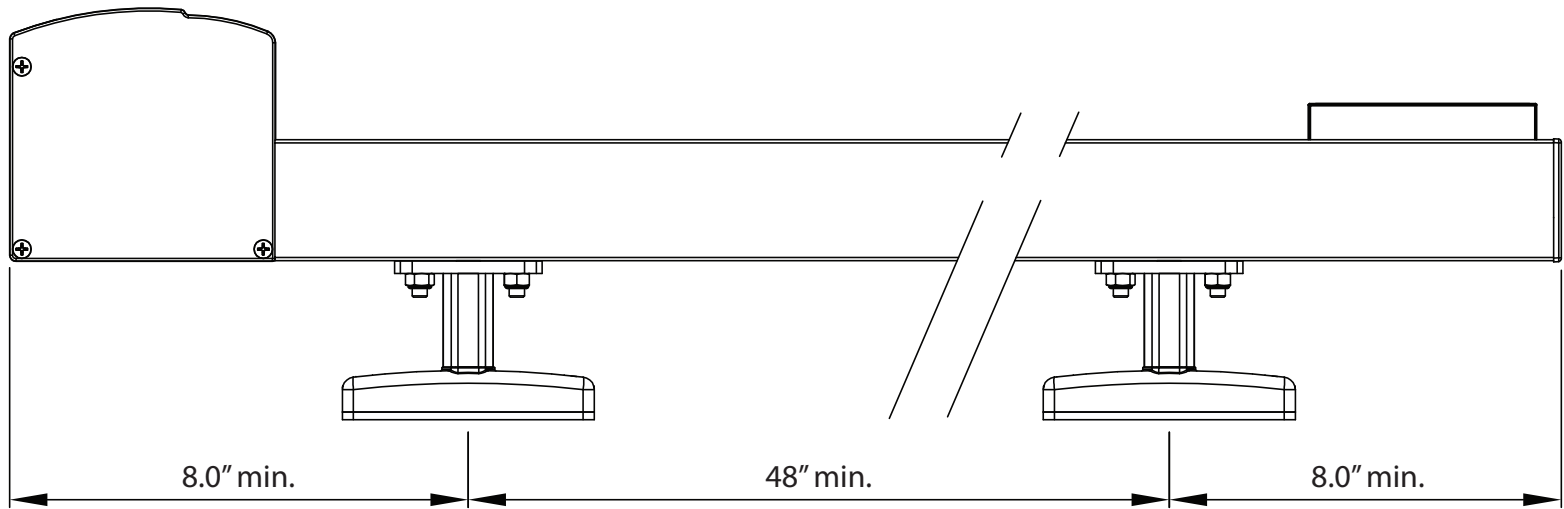


This mounting condition is ideal when striving for solar heat gain protection. The space between the skylight glazing and the fabric band is important for air flow.



CROWN | CTS Tension Shade System

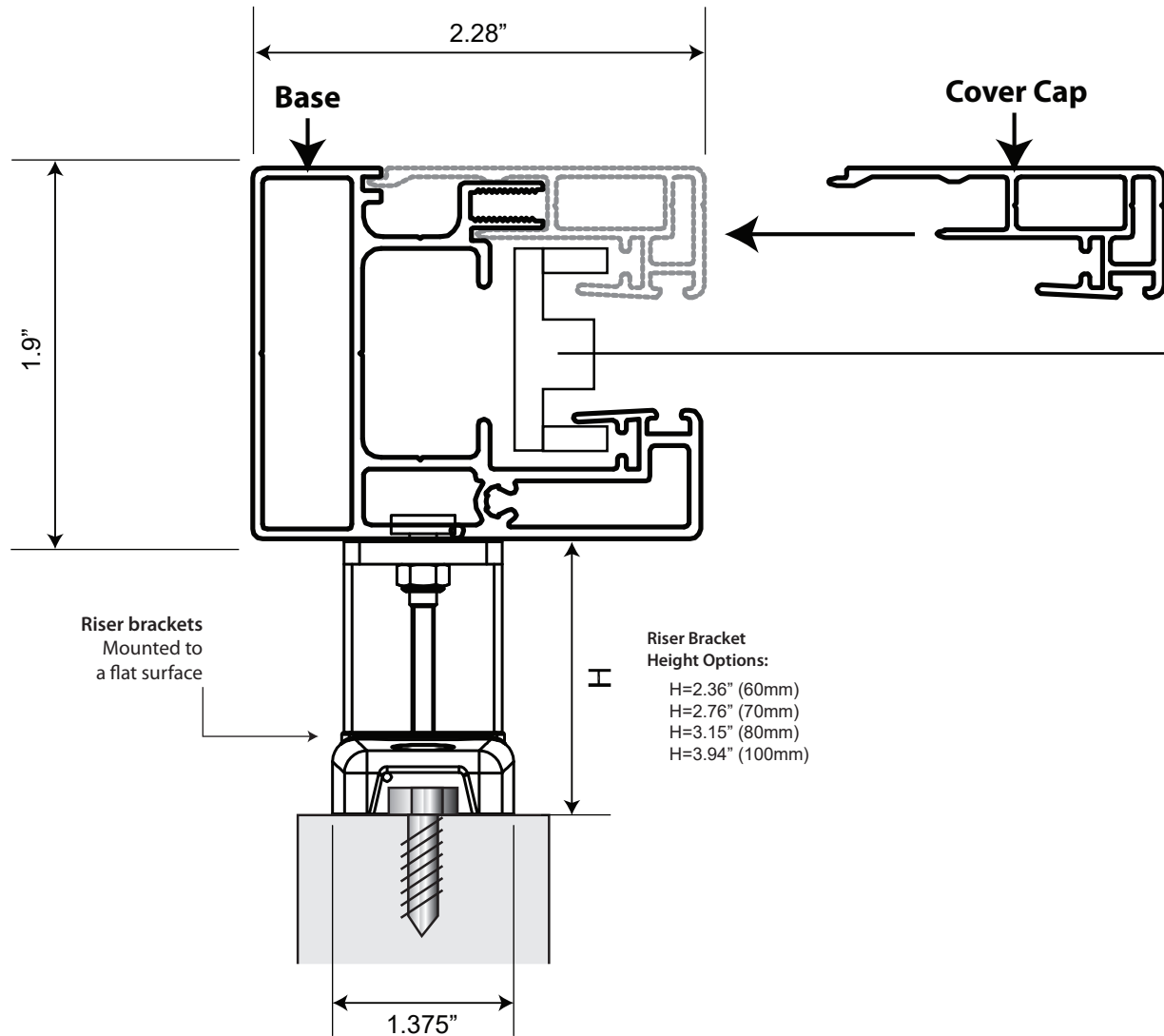




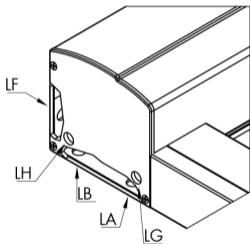
Riser Bracket Height Options:
 H = 60mm
 H = 70mm
 H = 80mm
 H = 100mm

*Vertical steel flange provided by others

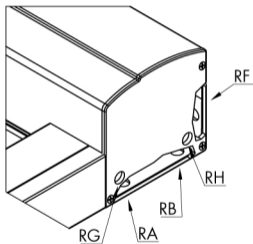
CTS ZipTrack Side Channels:

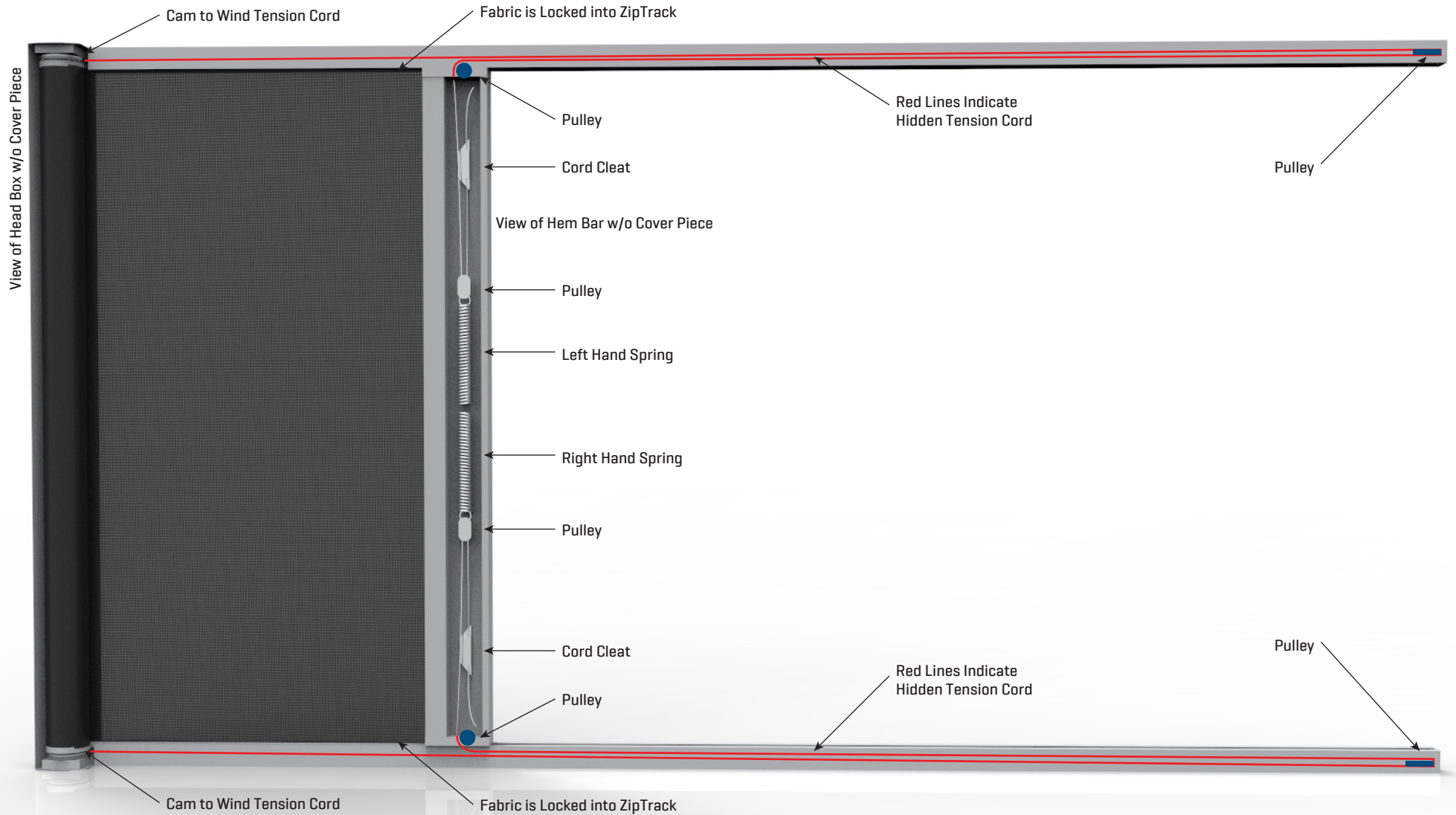


Options for wiring exiting Left Side



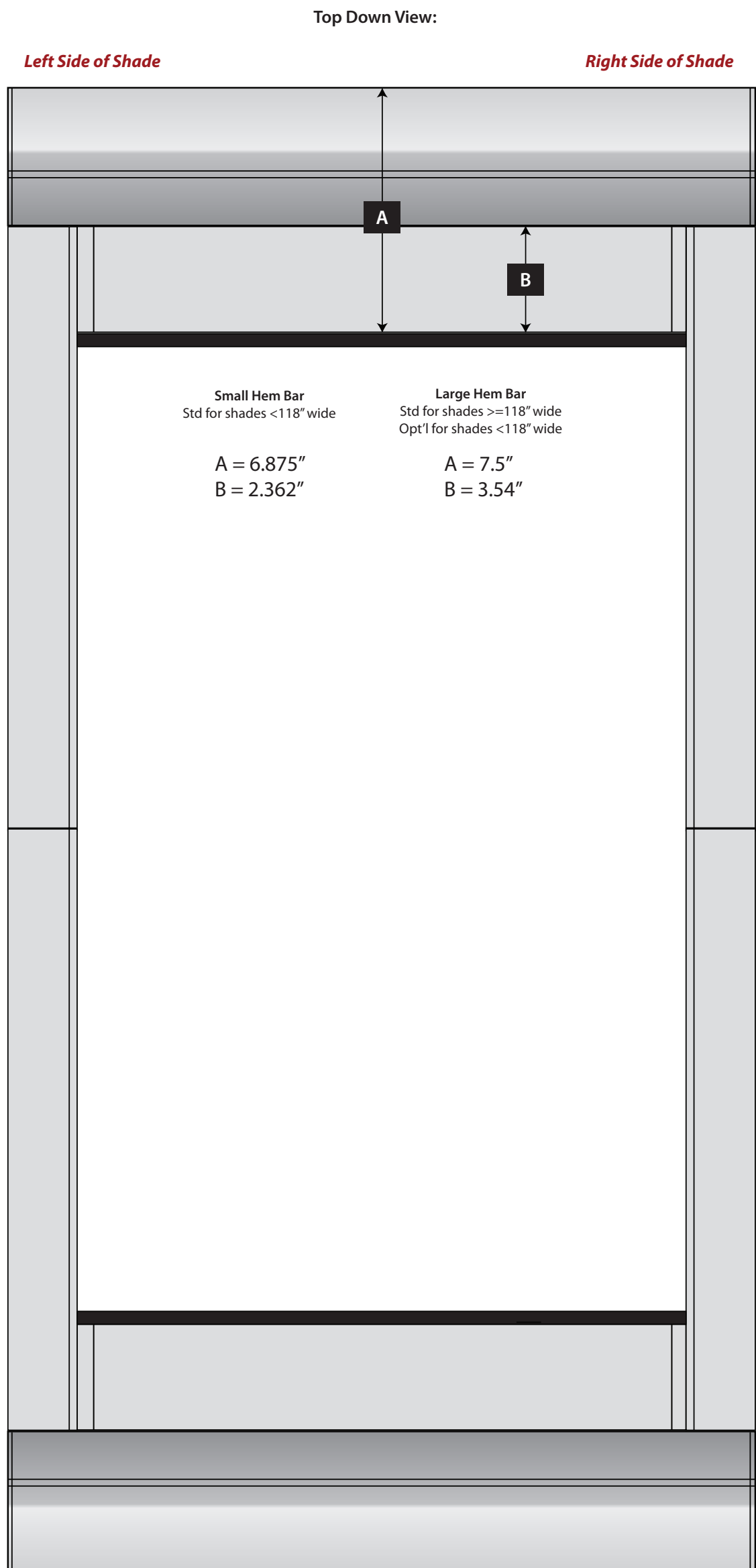
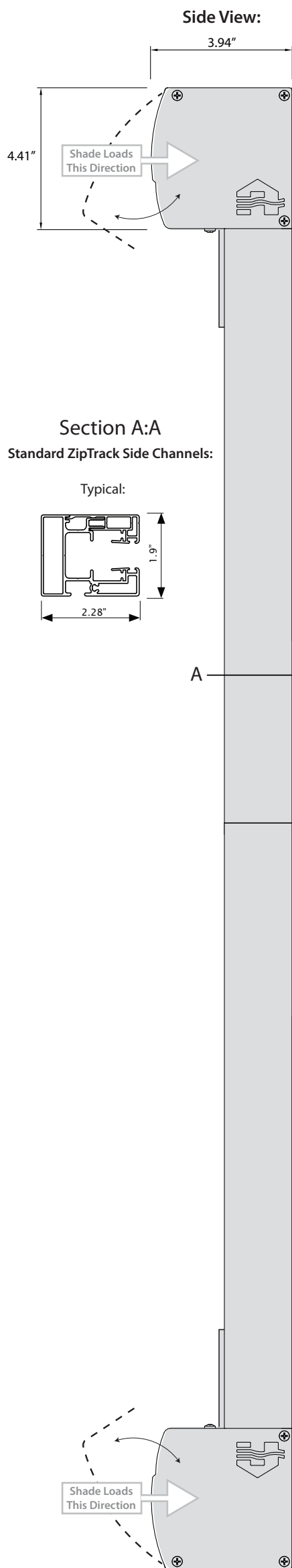
Options for wiring exiting Right Side





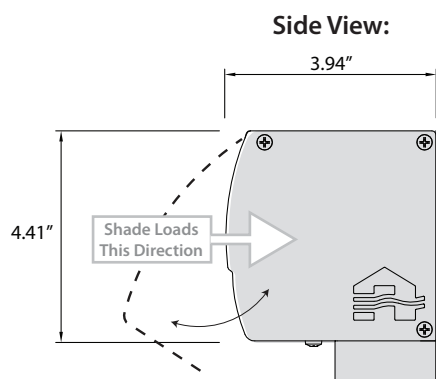
Crown CTS-100 Meet In The Middle Tension Shade System

Shown Fully Deployed:

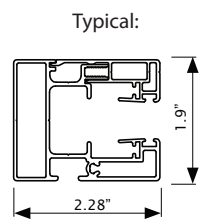


Crown CTS-100 Meet In The Middle Tension Shade System

Shown Fully Deployed:



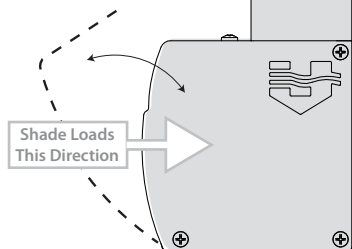
Section A:A
Standard ZipTrack Side Channels:



A A

Small Hem Bar
Std for shades <118" wide
A = 4.9"

Large Hem Bar
Std for shades ≥118" wide
Opt'l for shades <118" wide
A = 7.2"



Top Down View:

Left Side of Shade

Right Side of Shade

