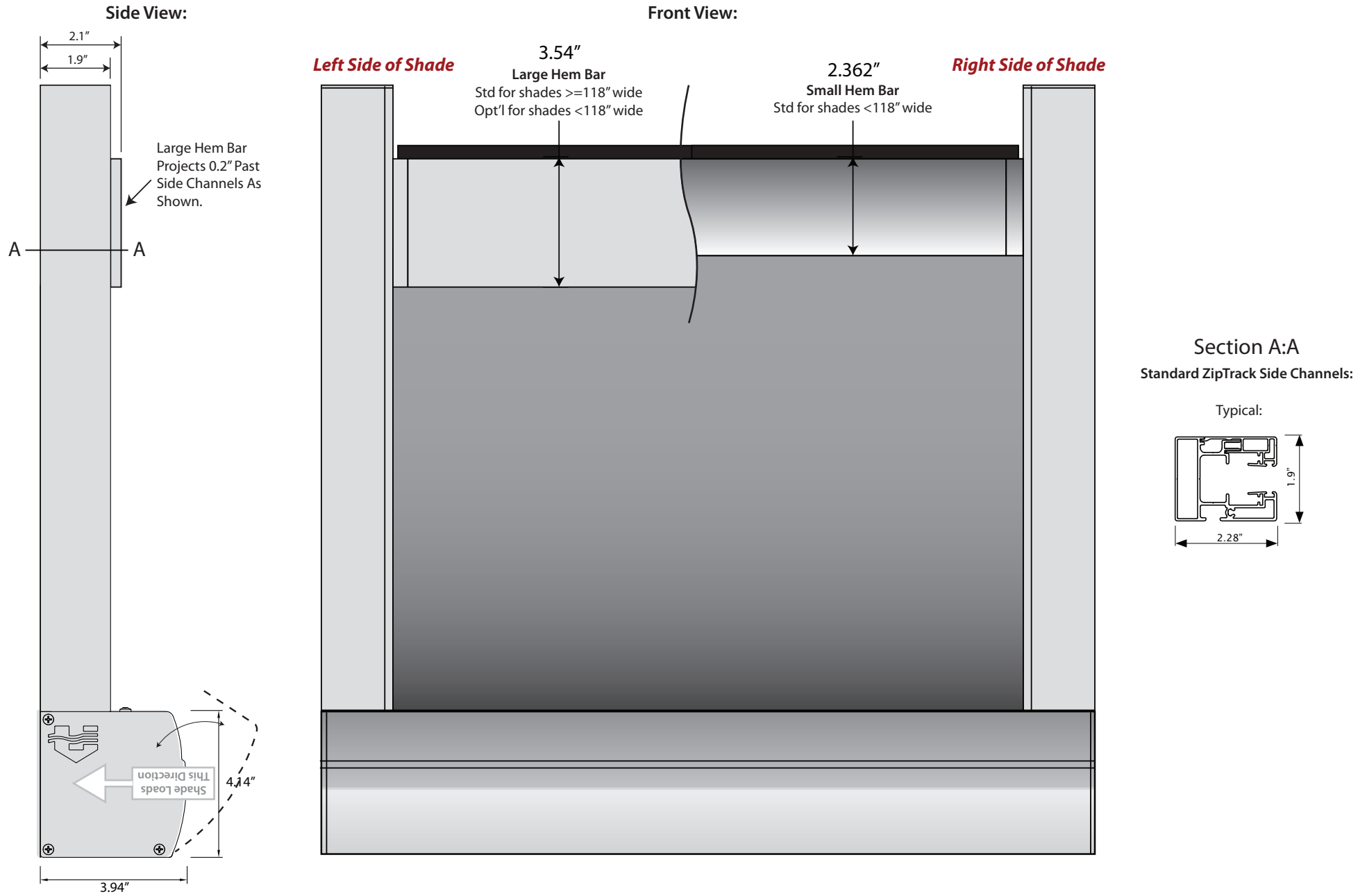
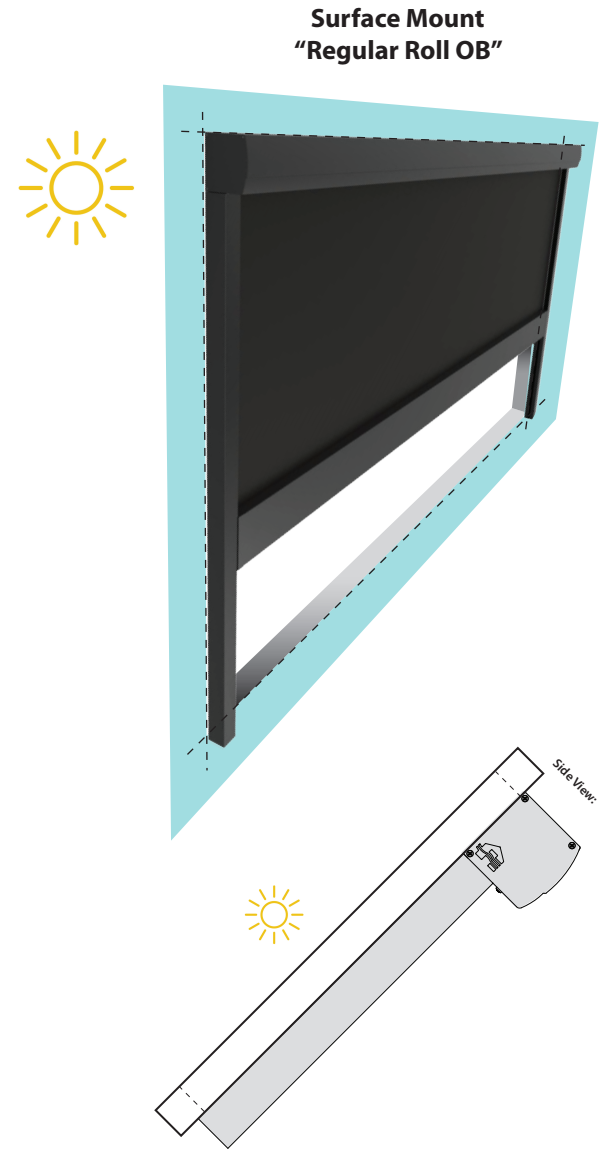
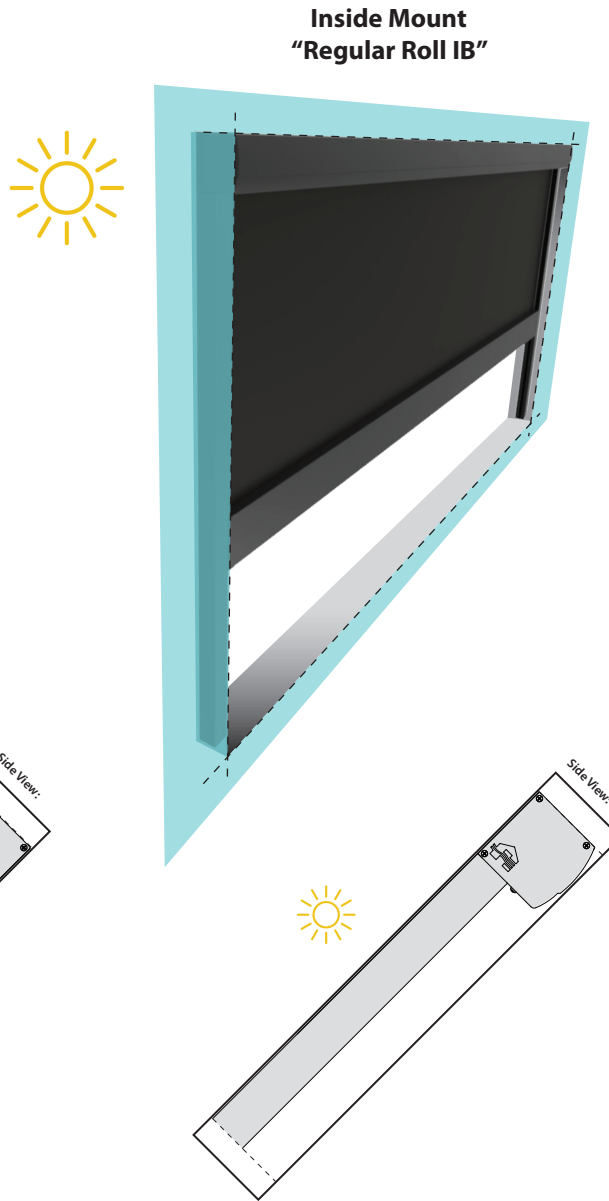
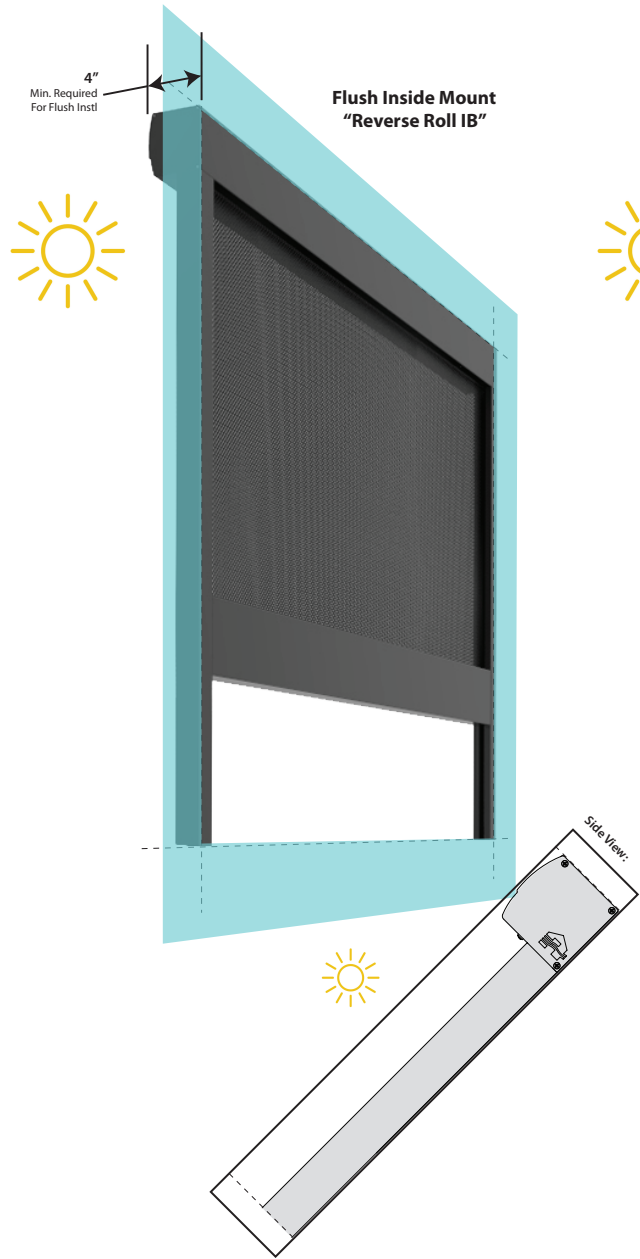


# CROWN | CTS Tension Shade System



# CTS Tension Shade System

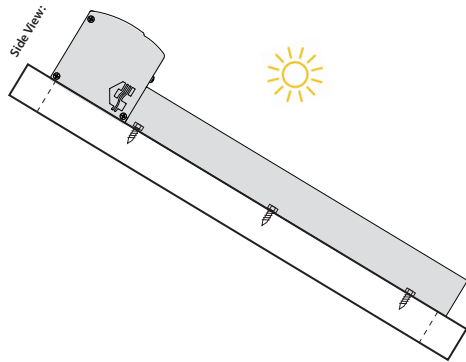


# CTS Tension Shade System

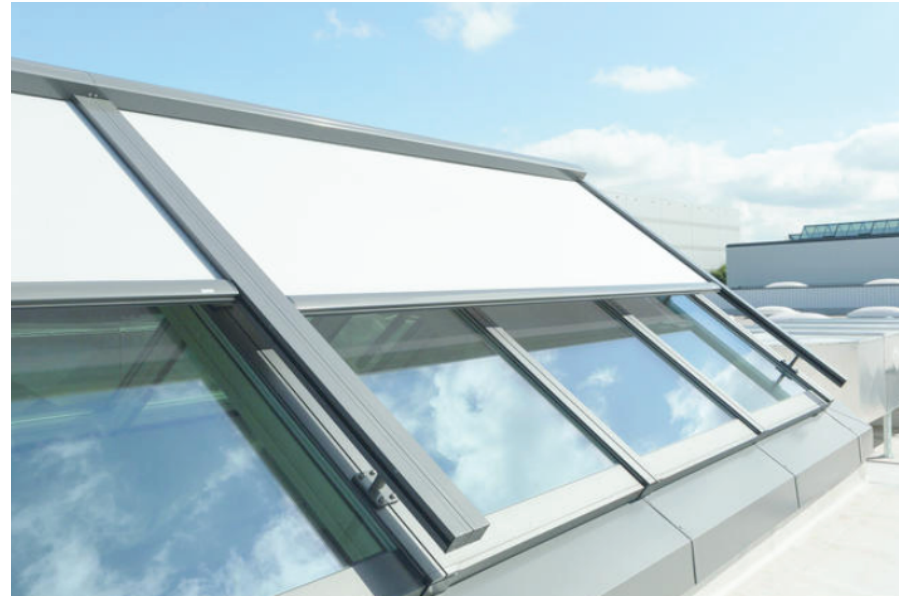
## Surface Mount



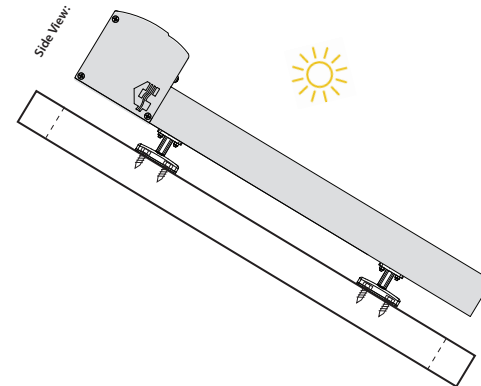
\*When selecting this mounting condition it must be understood that the fabric may come in contact with the skylight glazing when the shade is fully deployed. This can reduce the solar heat gain protection effectiveness.

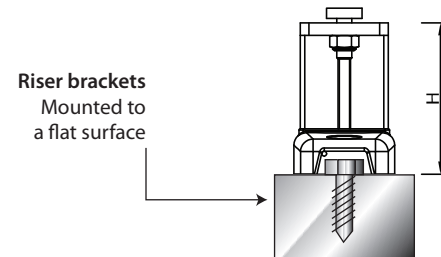
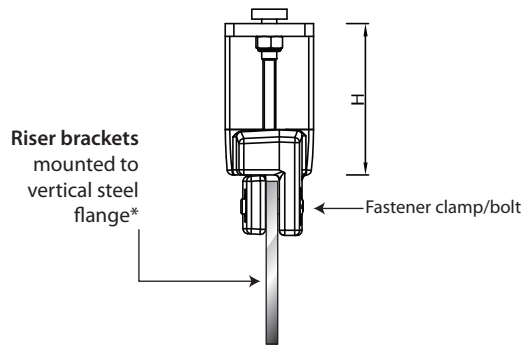
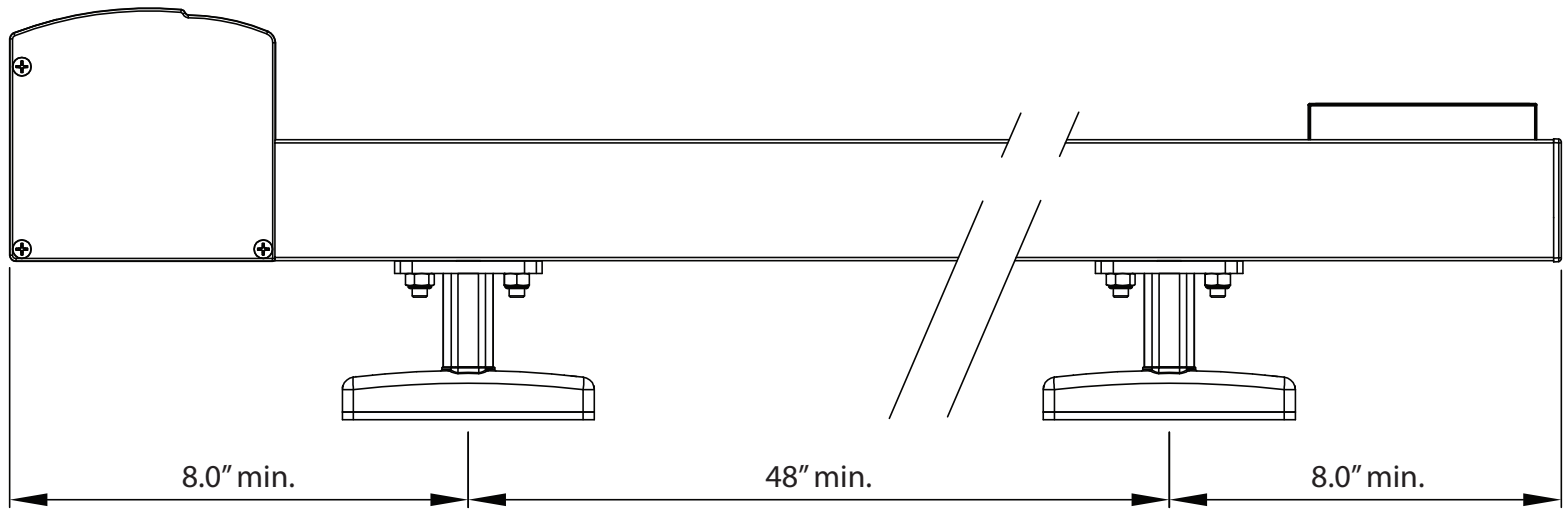


## Stand-Off Mount



This mounting condition is ideal when striving for solar heat gain protection. The space between the skylight glazing and the fabric band is important for air flow.



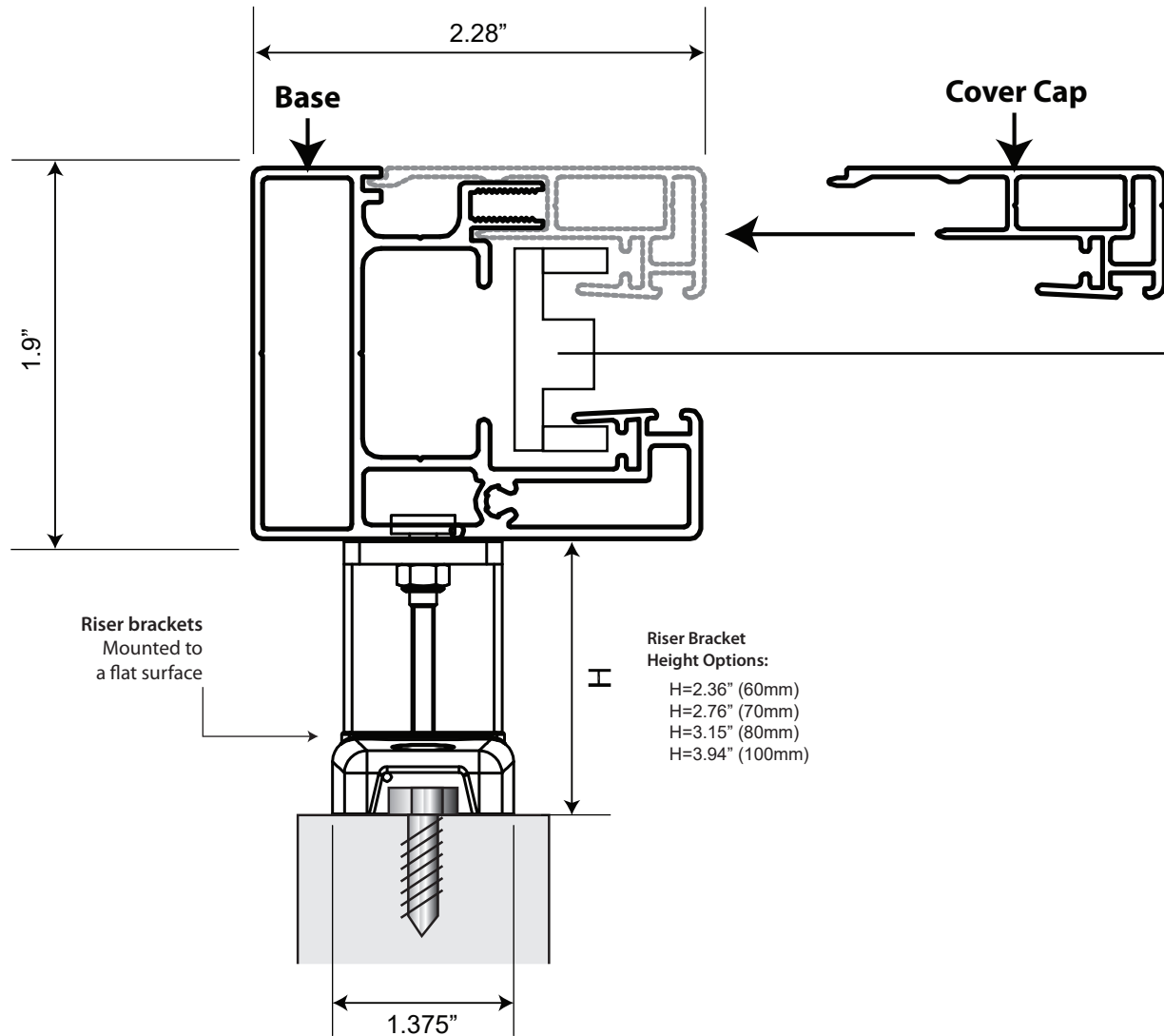


**Riser Bracket Height Options:**

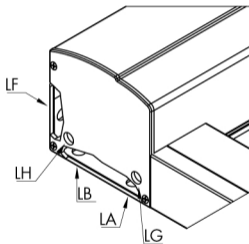
- H = 60mm
- H = 70mm
- H = 80mm
- H = 100mm

\*Vertical steel flange provided by others

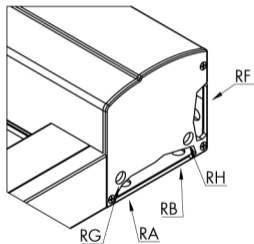
### CTS ZipTrack Side Channels:

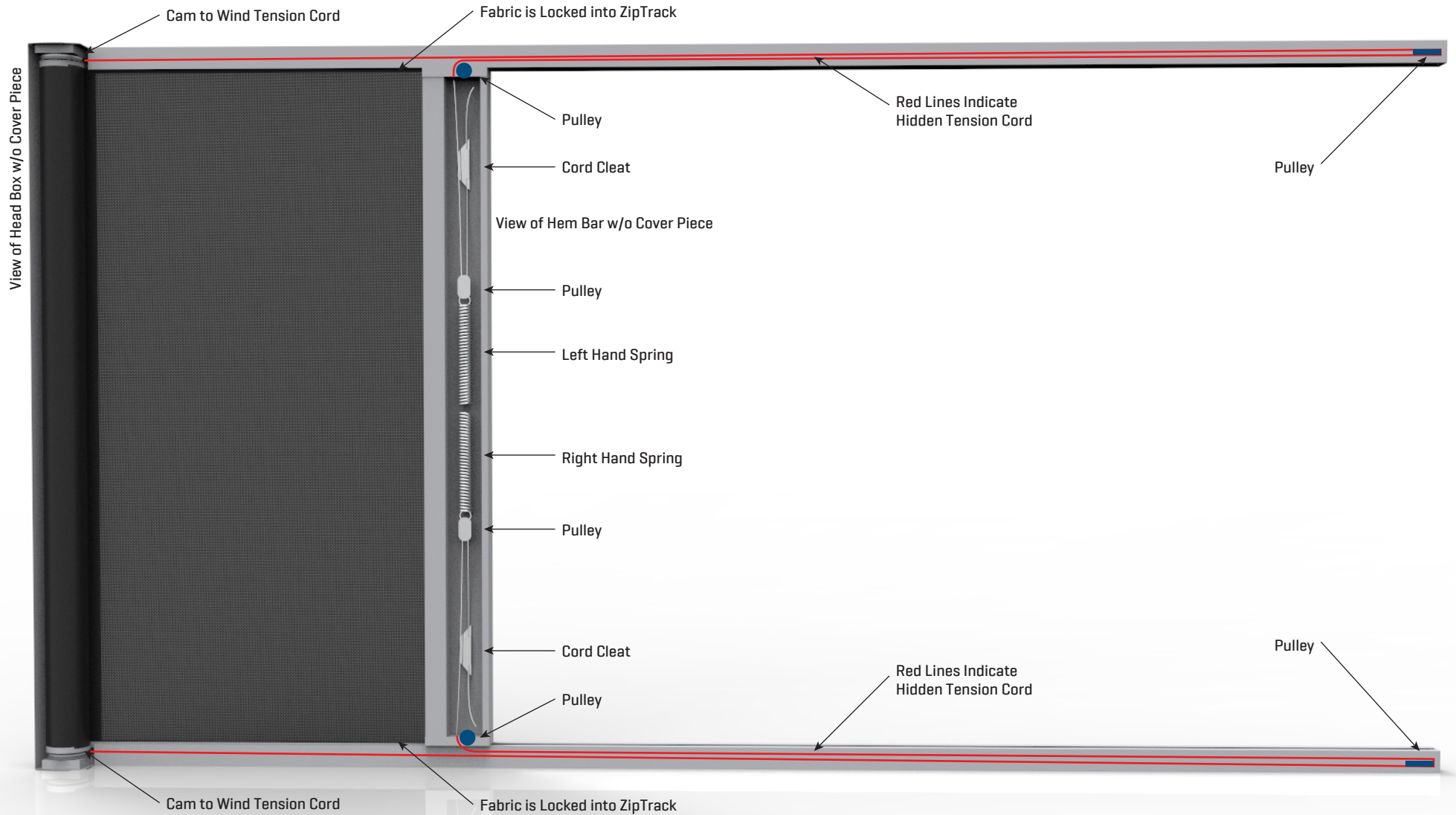


## Options for wiring exiting Left Side



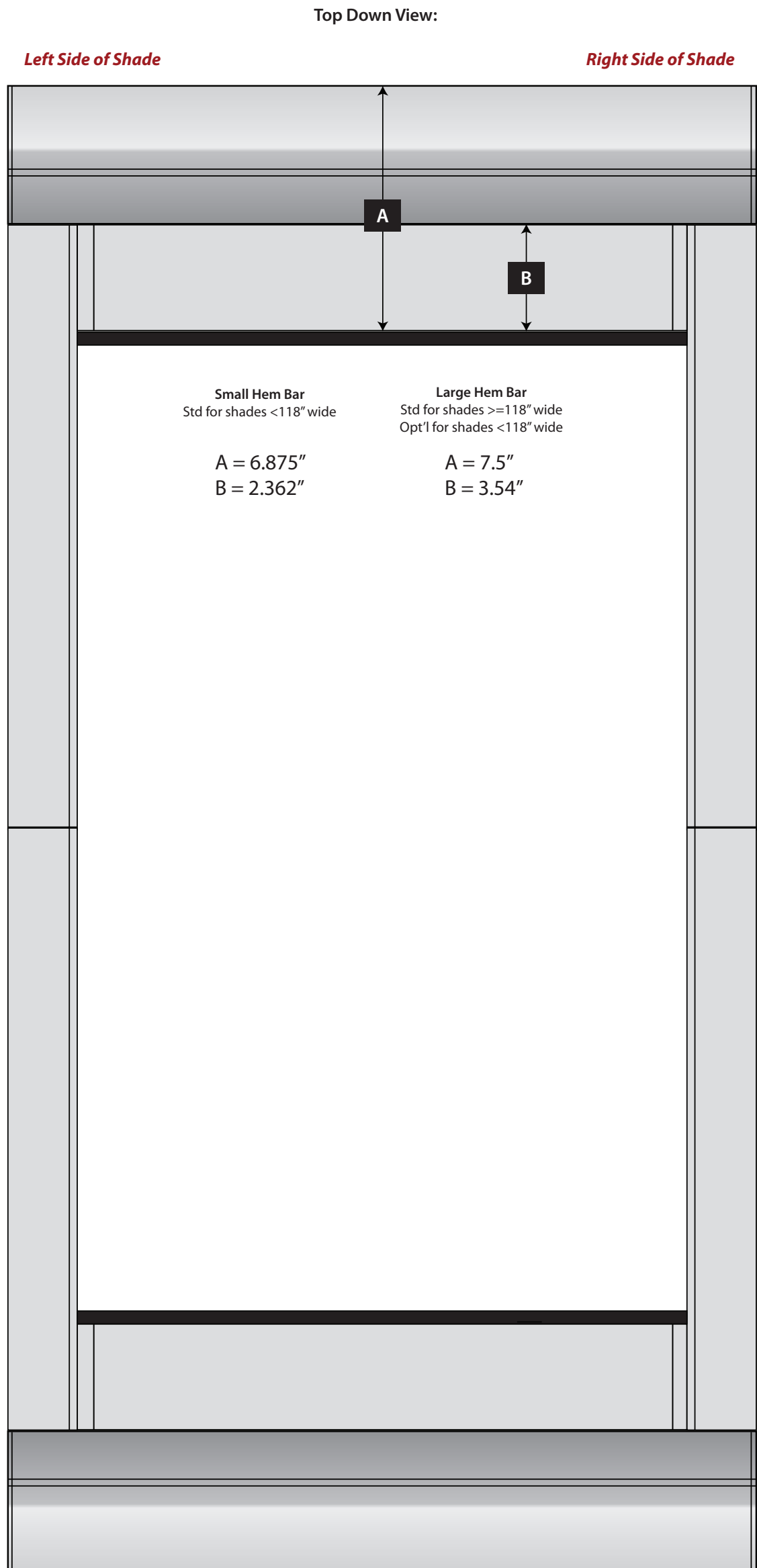
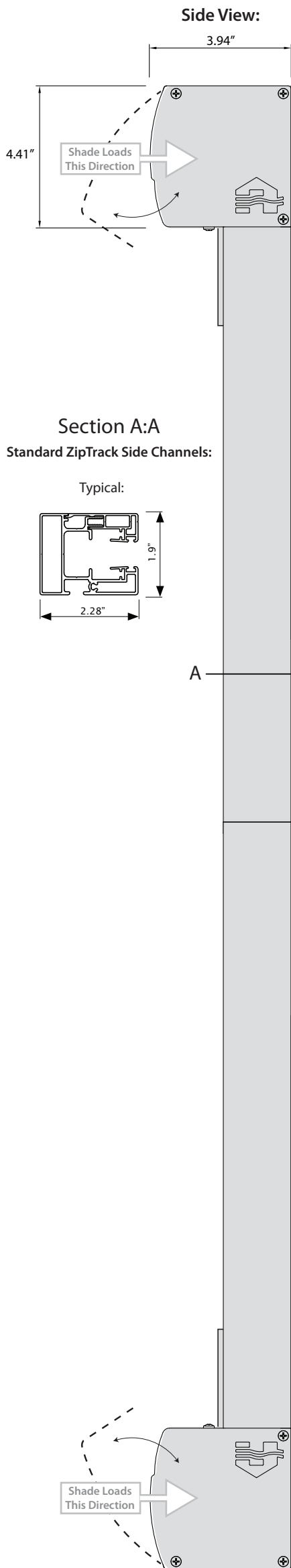
## Options for wiring exiting Right Side





# Crown CTS-100 Meet In The Middle Tension Shade System

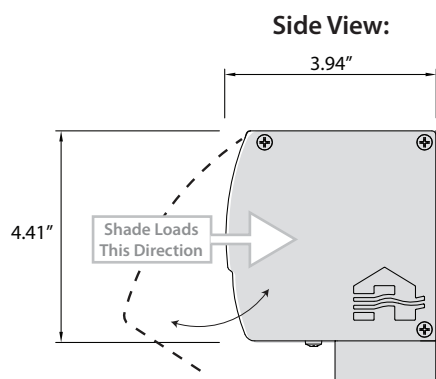
## Shown Fully Deployed:



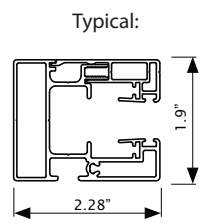


# Crown CTS-100 Meet In The Middle Tension Shade System

## Shown Fully Deployed:



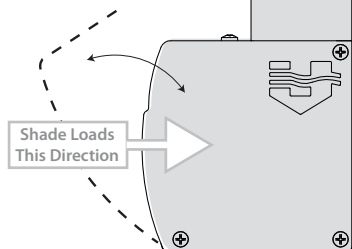
**Section A:A**  
Standard ZipTrack Side Channels:



A A

**Small Hem Bar**  
Std for shades <118" wide  
A = 4.9"

**Large Hem Bar**  
Std for shades ≥118" wide  
Opt'l for shades <118" wide  
A = 7.2"



**Top Down View:**

*Left Side of Shade*

*Right Side of Shade*

