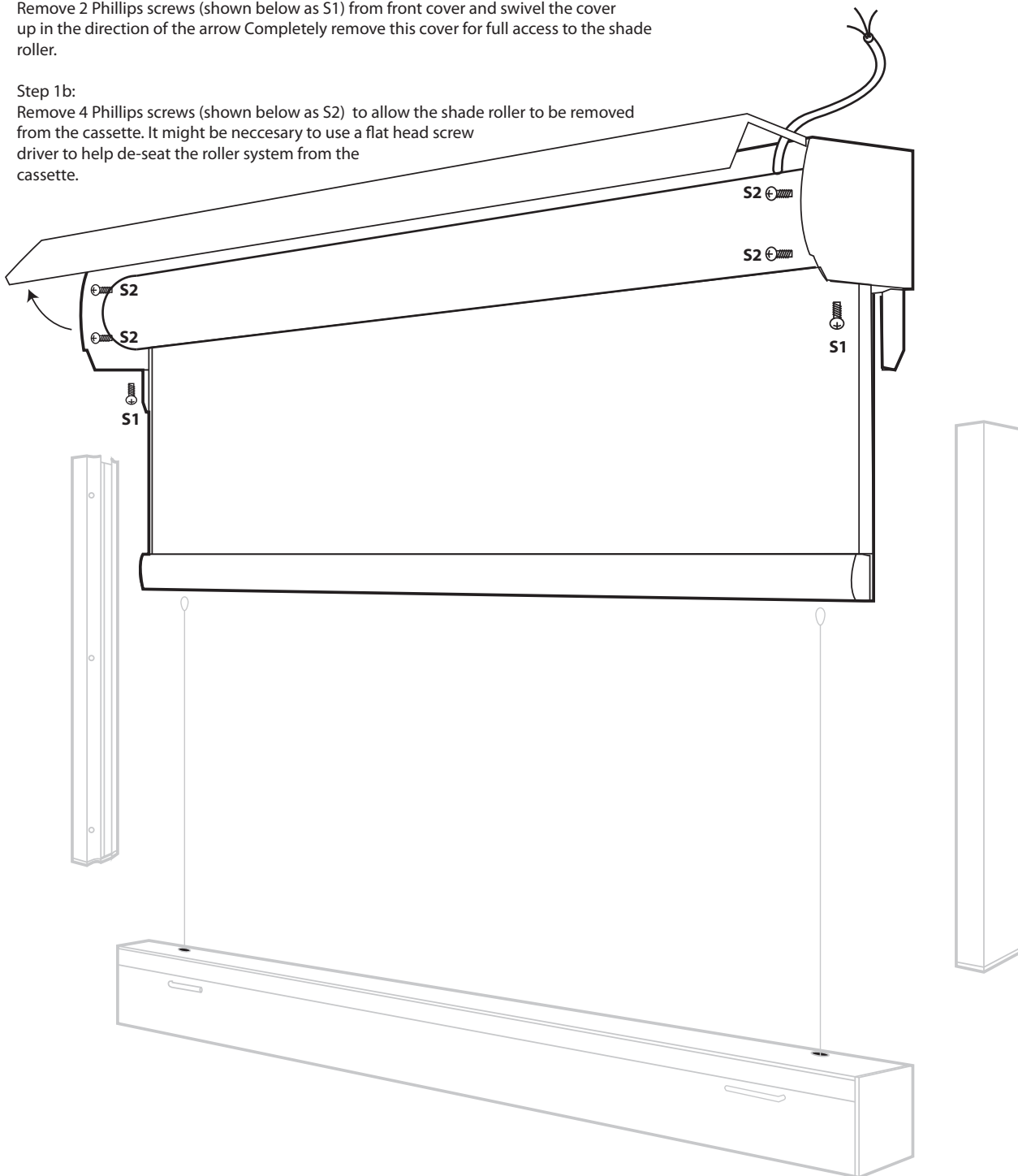


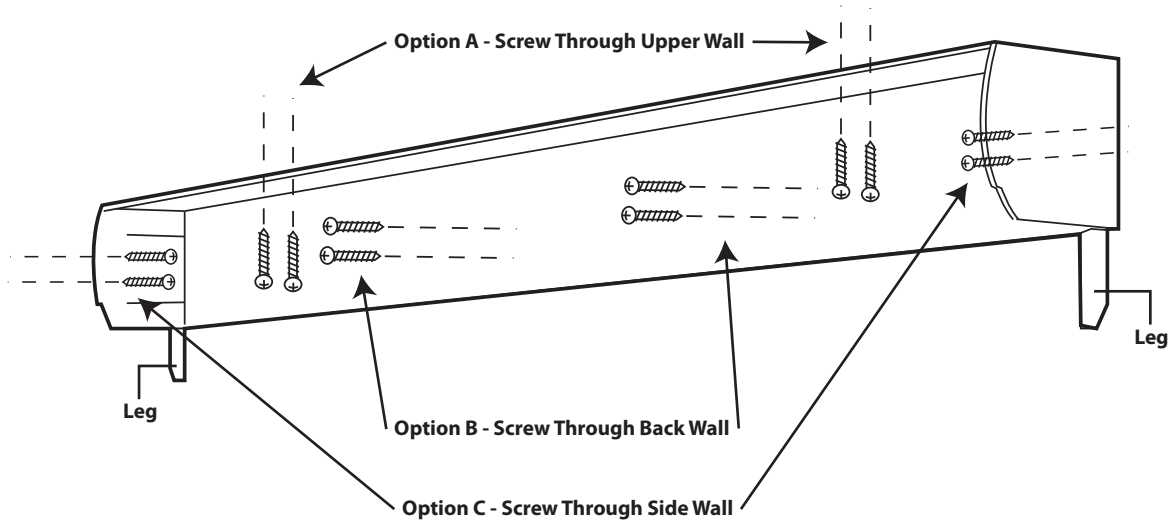
Step 1a:
Remove 2 Phillips screws (shown below as S1) from front cover and swivel the cover up in the direction of the arrow. Completely remove this cover for full access to the shade roller.

Step 1b:
Remove 4 Phillips screws (shown below as S2) to allow the shade roller to be removed from the cassette. It might be necessary to use a flat head screw driver to help de-seat the roller system from the cassette.



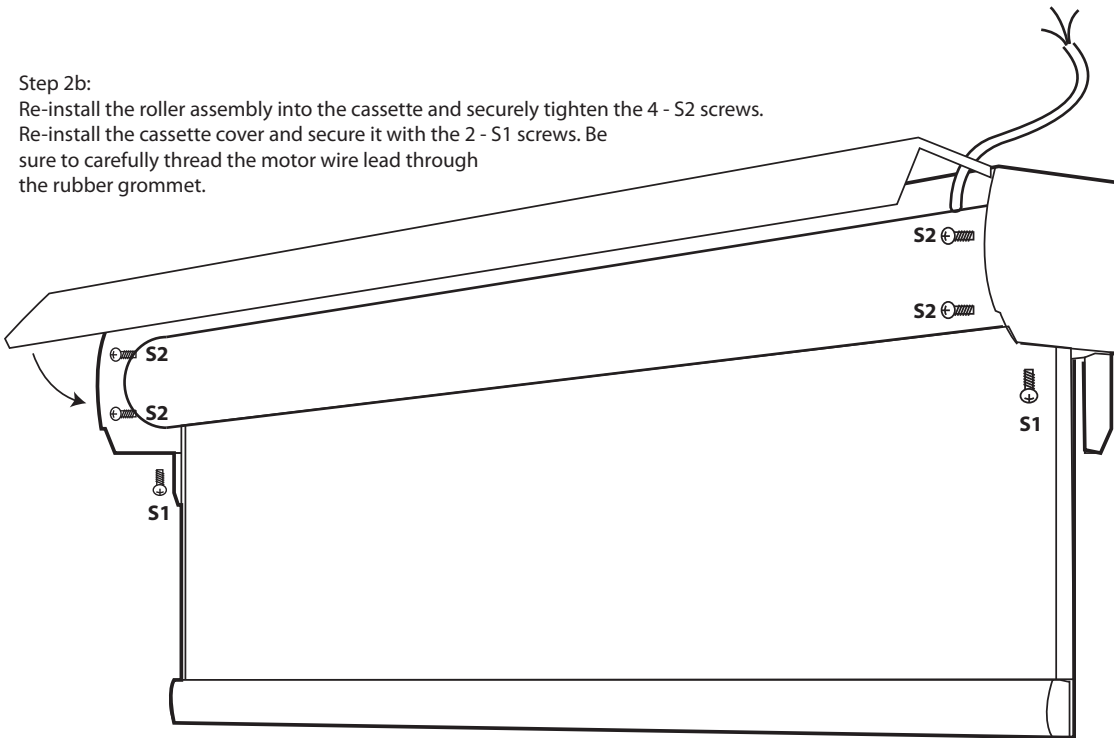
Step 2a:

Mount the cassette assembly into a secure structure with proper blocking as shown below. It is possible to affix screws in any or all of the "options" shown. You also have the option of installing the cassette assembly in one of two orientations: If you intend on a "flush" install then you want to be sure the "legs" are closest to the floor. If you intend on a standard install then you want the "legs" to be closest to the window glazing.



Step 2b:

Re-install the roller assembly into the cassette and securely tighten the 4 - S2 screws.
Re-install the cassette cover and secure it with the 2 - S1 screws. Be sure to carefully thread the motor wire lead through the rubber grommet.



Step 3a:

The side channel assemblies are each composed of 3 parts. They are shipped assembled however in order to install them you will need to disassemble the 3 parts by simply backing out the Allen screws. Pay close attention at how they are assembled. The main "L" extrusion with the large predrilled thru-holes is what you want to mount first. Simply slide this L extrusion onto the alignment "leg" of the roller cassette assembly. Be sure that the black plastic end cap of the L extrusion is at the side furthest away from the cassette assembly.

Step 3b:

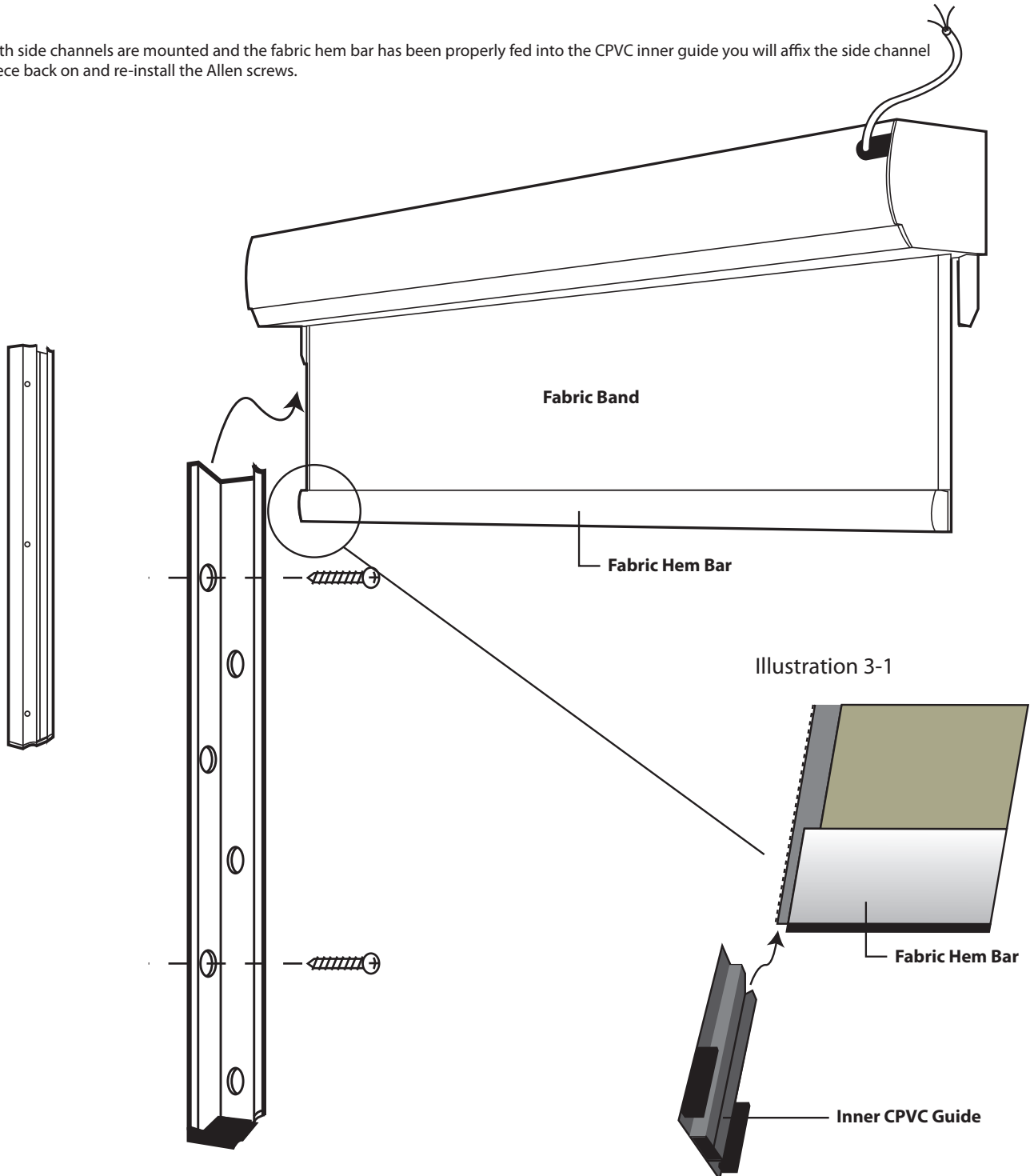
Once the L extrusion is fully seated onto the "leg" proceed and drive screws as shown below to affix the channel to the wall.

Step 3c:

Lay in the black CPVC inner guide with the foam pieces facing in toward the center of the skylight. Be sure that the end with the chamfered edges is closest to the cassette assembly. Feed the inner guide into the beaded edge of the shade fabric band. See illustration 3-1

Step 3d:

Once both side channels are mounted and the fabric hem bar has been properly fed into the CPVC inner guide you will affix the side channel cover piece back on and re-install the Allen screws.



Step 4a:

First remove the cover cap of the tension rail. Then mount the rail as shown below. Proceed by re-installing the cover cap. While performing this task be sure that the tension cord is still threaded properly around the pulley and out the rectangular hole that is left once the cover cap is reinstalled.

Step 4b:

Carefully pull the tension cord slightly and remove the temporary spring lock pin. Pull the cable out so that you have enough slack to insert the terminating pin into the slot of the hem bar. See the below diagram for more information on this step. Perform this step for the other tension cord(s).

